

TOMCAT

COMMERCIAL CLEANING EQUIPMENT

MICROMINI SERIES

20" - 24"



COMPACT SCRUBBERS



BURNISHERS



RIDER SCRUBBERS



FLOOR MACHINES



TOMCAT's ultra compact *MICROMINI* scrubbers are designed to clean schools, hospitals and retail locations, while standing up to the demands of daily contract cleaning.

The *EDGE* surface preparation technology is available on the *MICROMINI* in both 20" and 24" paths. This innovative cleaning head uses high speed oscillating and allows the *MICROMINI* to remove floor finish with tap water and eliminate the need for chemical strippers. By eliminating harsh and slippery chemical strippers the *MICROMINI EDGE* can:

- Be environmentally friendly
- Helps earn LEEDS credits
- Wet screens Wood Gym floors
- Reduce "Slip & Fall" accidents
- Allow novices to prep and recoat like an expert
- 70% reduction in water use

The scrub head is protected by the frame's heavy steel construction, with non-marking tires and bumper wheels to protect against marks. Like all **TOMCAT** equipment, the *MICROMINI* is entirely Made In The USA, and with American components that are assembled with stainless fasteners.

On close inspection you will notice that axle, casters, squeegee linkage and battery package all mounted directly to a 10 gauge steel frame, which is powder coated for protection.



**Call For A
Demonstration:**
(800)450-9824
(+011)262-681-6470
www.tomcatequip.com

MANEUVERS IN TIGHT WORKING AREAS



Watch *EDGE* at:
www.youtube.com
Search: Tomcat
Edge Scrubber

Single Pass
Stripping with
only Water

FULLY CLEANABLE RECOVERY TANK FOR SANITIZING

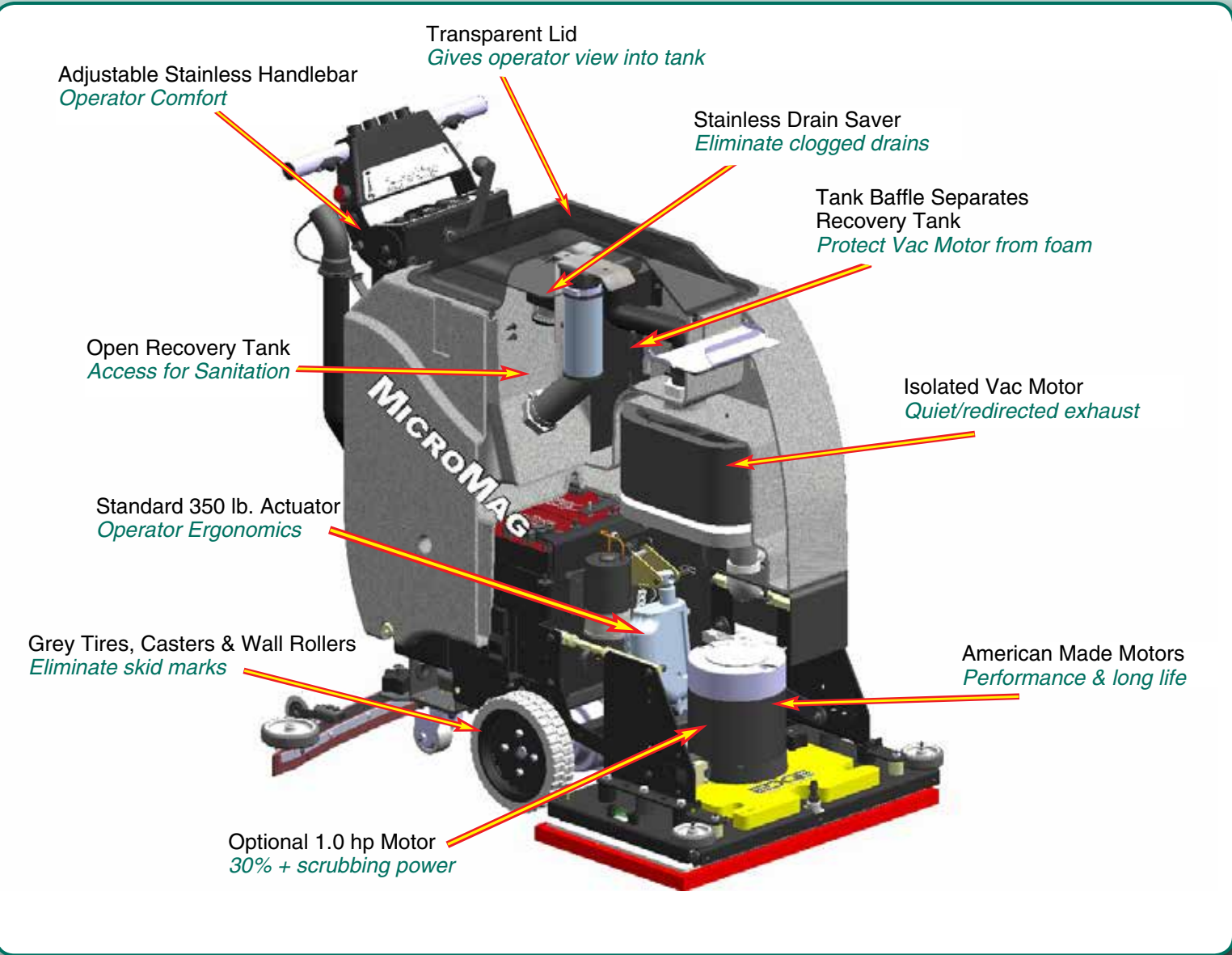


TANK TIPS BACK FOR EASY SERVICE



FULL ACCESS TO CORNERS FOR THOROUGH CLEANING



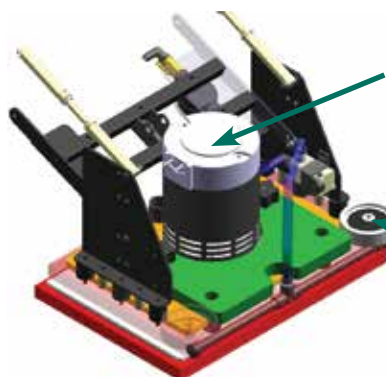


TOMCAT EDGE

Surface Preparation Technology

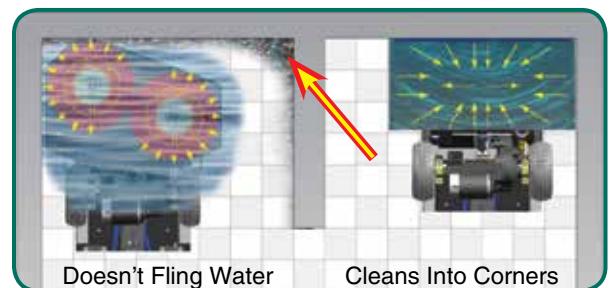
- Chemical Free Stripping
- Reduce Slip & Fall Potential
- Earn LEEDS Credits
- 70% Reduction in Water Usage
- Consistent Results – No Swirl Marks

Watch **EDGE** in action at:
www.youtube.com
 Search: Tomcat Edge Scrubber
 Single Pass Stripping with Water



HD 2900 RPM Motor
 Unmatched Performance

Oversized Isolators
 Long Life



RETURN ON INVESTMENT

AREA	TIME REQUIRED TO CLEAN		
	Sq. Ft.	By Hand	Model <i>MICROMINI</i>
10,000	7 hrs	0.5 hrs	\$ 220.00
25,000	17 hrs	1.5 hrs	\$ 550.00
50,000	50 hrs	3.0 hrs	\$1,650.00

SOLD THROUGH DISTRIBUTORS

We've built our reputation by providing the toughest, best-engineered, highest-value machines our industry can produce. We make sure that in every market in which our more than 350 distributors in 36 countries and service centers do business, they maintain a "factory" trained service department with a vested interest in our customers long-term satisfaction.

TOMCAT offers a line of cleaning equipment that includes sweepers and scrubbers, in both walk-behind and ride on models. All our models are practical, rugged machines that are sensibly priced. Your local dealer will be happy to assist you with rentals, soap, and floor sealer information. They will gladly provide service on all brands of cleaning equipment.

AUTHORIZED DISTRIBUTOR



Manufactured By:
R.P.S. Corporation
P.O. Box 241
Racine, Wisconsin 53401
Phone: (800) 450-9824
International: +(011)262-681-5747
Fax: (866) 632-6961
www.tomcatequip.com

Copyright R.P.S. Corporation 2013. All rights reserved.
 Since our policy is one of constant improvement, all specifications are subject to change without notice.

	MICROMINI 20", 24" (51, 61 cm)
Body Construction/Dimensions	
Tank Material:	Poly (5/16" thick) (.79 cm)
Chassis Construction:	3/16" Coated Steel (.48 cm)
Rear Casters:	(2) 2.5" x 1.38" [(2) 6.35 x 3.5 cm]
Front Wheels:	(2) 8" x 2" [(2) 20 x 8 cm]
Size (L x W x H):	42" x 21" x 39" (106 x 53 x 99 cm)
Weight (w/o batteries):	265 lbs. (120 kg)
Weight (w/batteries):	430 lbs. (195 kg)
Brush System	
EDGE Pad Size:	20-EDGE: (1) 20" x 14" 24-EDGE: (1) 24" x 14"
EDGE Pad Motor:	(1) 1.0 hp (746 watts)/2500 rpm
Optional EDGE Motor:	(1) 1.2 hp (895 watts)/2900 rpm
Brush Down Pressure:	0-125 lbs. (0-68 kg)
Battery System	
System Voltage:	24 volts
Standard Battery Rating:	130 ah
Optional Battery Rating:	Up to 150 ah
Battery Run Time:	Up to 3.5 hours
Charger (110v/60 Hz/24 volt):	12 amp Dual Mode Console
Solution System	
Solution Tank Capacity:	10 gallons (38 liters)
Solution Flow Rate:	0-.5 gpm (0-2 lpm)
Solution Filter:	Stainless/Inline
Recovery System	
Recovery Tank Capacity:	10 gallons (38 liters)
Vacuum Power:	0.75 hp (559 watts)
Drain Hose:	1.5" diameter (4 cm)
Vacuum Specs (lift/airflow):	70"/70 cfm (178 cm/21 cmm)
Demisting Chamber:	1.25 gallons (5 liters)
Drain Saver:	30 cubic inches (70 cubic cm)
General	
Cleaning Width:	20-E: 20" (51 cm) 24-E: 24" (61 cm)
Cleaning Rate/Hour (sq. ft/hr):	Up to 20,525 (6,256 m)
Sound Level:	67 dBA
Drive System	
Standard Drive:	0.4 hp (298 watts), all gear/sealed
Forward Speed:	0-230 ft/min (4 mph) (6 kph)
Reverse Speed:	0-130 ft/min (2 mph) (3 kph)
Options:	Maintenance Free Batteries Remote Spray Wand