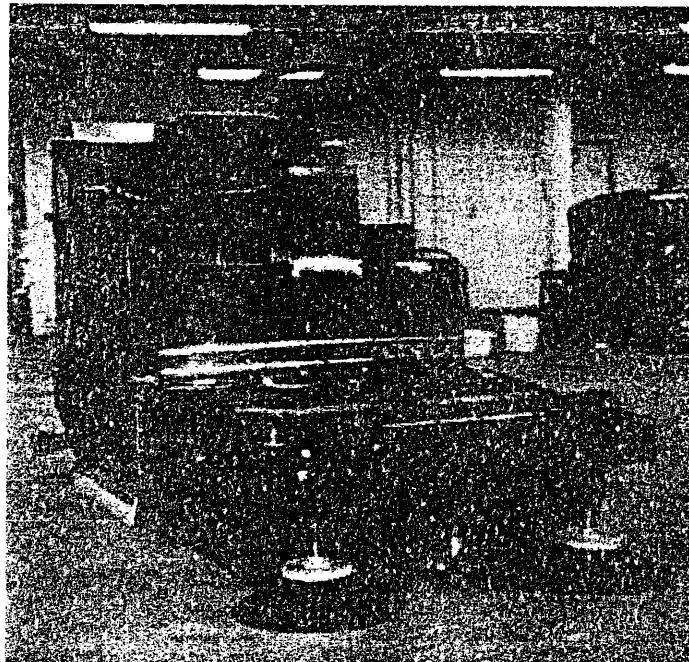


*Tom*

# **FACTORY CATERPILLAR**

## **MODEL 10: Pre-Sweep for Scrubbers**



**Operator's Manual  
Parts & Service Book**



**INDEX OF MANUAL FOR  
MODEL 10 PRESWEEP**

**CONTENTS**

1.	<b>SAFETY WARNINGS:</b>	<b>Page One</b>
2.	<b>INSTALLATION</b>	<b>Page Two</b>
3.	<b>OPERATION</b>	<b>Page Four</b>
4.	<b>MAINTENANCE &amp; ADJUSTMENTS</b>	<b>Page Six</b>
5.	<b>ELECTRICAL SCHEMATIC</b>	<b>After Page 8</b>
6.	<b>WARRANTY</b>	<b>After Schematic</b>
7.	<b>PARTS BOOK</b>	<b>Page Nine</b>

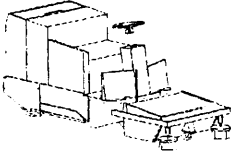
# SAFETY WARNINGS!

*NOTE: These warnings are not meant to be a complete list. Only the operator's intelligence, good sense and care of unit will assure that most hazards are avoided.*

- 1. Read this manual carefully and completely before operating, adjusting or repairing this machine.**  
If you have a question concerning the machine or its operation, or would like extra copies of this book, you may call the Factory at 1-800-634-4060, or Fax your questions to us at 1 414-632-3335.
- 2. This unit is not a stand-alone machine. It works in conjunction with a Factory Cat Model 40 Scrubber. Be sure also to carefully read the manual for the scrubber before operating, adjusting or repairing either machine.**
- 3. This machine is meant to run on 24 Volt, D.C. power only, sourced from the scrubber to which it is attached.**
- 4. Before working on this machine's electrical components, be sure to unplug the power plug into the machine. As when working with any 24 Volt system, do not wear rings or watches while working on unit.**
- 5. This machine has reciprocating parts. Do not wear neckties or other items of clothing around your neck while working near these rotating parts!**
- 6. Do not operate this machine if any parts have been removed from it. Do not remove or paint over warning decals. If warning decals are damaged, they must be replaced.**
- 7. Authorized, trained operators only.**  
This machine should only be operated by a trained operator. As part of his training he/she must read this manual thoroughly. If extra copies are needed, contact your local dealer or the Factory directly at 1-800-634-4060.
- 8. Do not operate machine if it is in an unsafe condition.**  
If the machine is in need of repair or is in any way unsafe or contributes to an unsafe condition, the matter should be reported immediately to the shift supervisor. Do not operate the machine until it is returned to proper condition.

# **INSTALLING YOUR PRE-SWEEP**

# FACTORY CAT

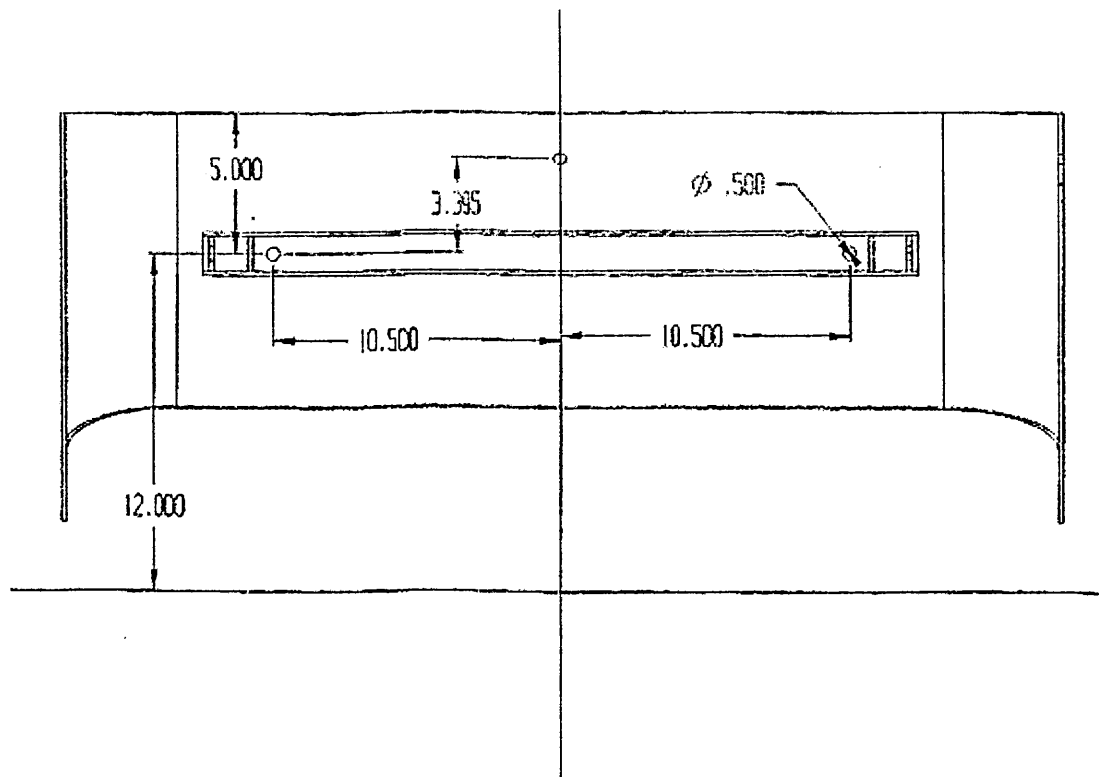


## PREPARING MODEL 40 FRONT BUMPER TO RECEIVE MODEL 10 PRESWEEP

Early production Model 40's do not have holes pre-drilled in the front bumper to accept the mounting bar for Model 10 Pre-Sweep. To drill two holes follow drawing below. Hole size is 1/2" (one-half inch) . **It is very important that you drill straight, accurate holes.** The bumper material is 3/16" thick

### NOTES:

1. Find the centerline. Measure from the center of the bolt in the middle of the bumper (up top) as shown below.
2. Mark hole locations very carefully with magic marker.
3. Drill small pilot holes first.
4. We recommend a hole saw as a means of better assuring holes will be straight.
5. If you use a 1/2" twist drill, take extra caution to assure you are drilling in a straight line.
6. Questions? Call the Factory at **800 634-4060**.

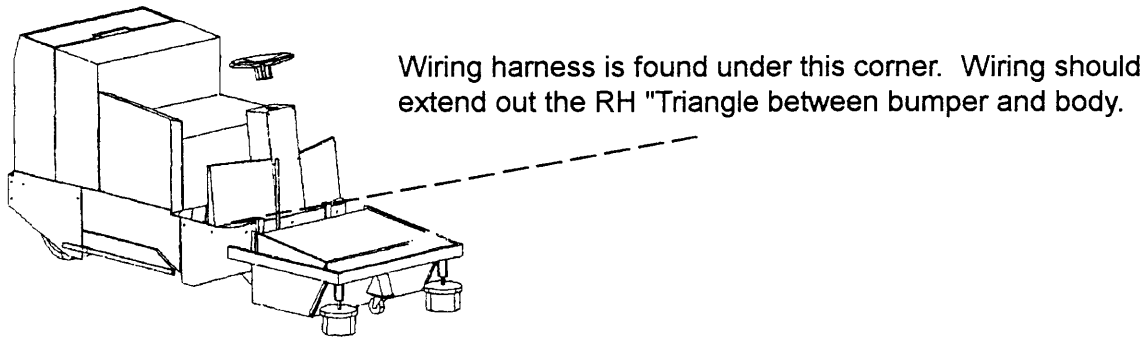


# FACTORY CAT

## WIRING MODEL 10 POWER LINE TO EARLY MODEL 40 SCRUBBERS

Current production Model 40's include a wiring harness extension from the Central Command unit that is specifically intended to power Model 10. This harness is found under the righthand corner of the bumper.

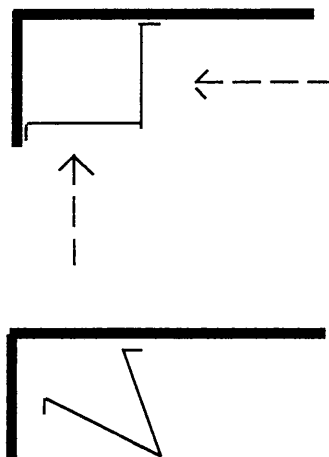
Pull it up as shown, and couple its 2 pin Molex connector to the two pin connector on the Model 10.



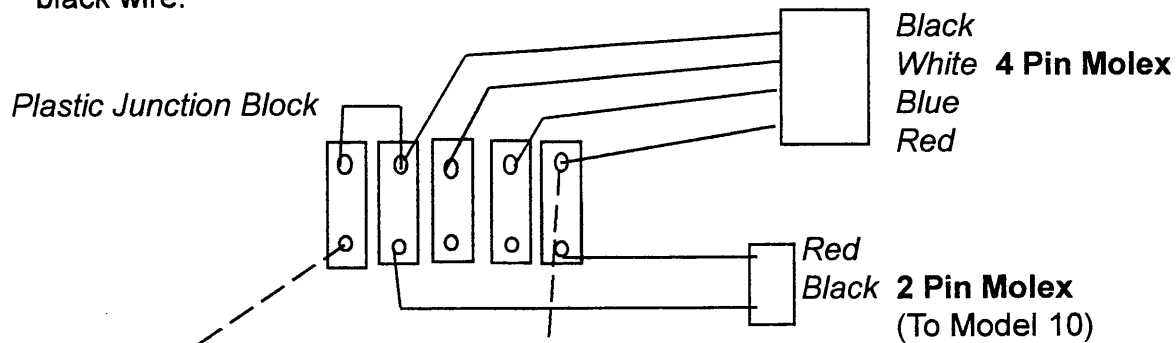
Early production Model 40's are missing this wiring harness extension. An extra extension is provided with your Model 10. To mount this extension to your Model 40

1. Open the Model 40's righthand wiper door. This gives you access to the trough under the Central Command. To open the trough, pinch the soft steel cover under the frame as shown in this front cutaway view:

*Outside of machine*

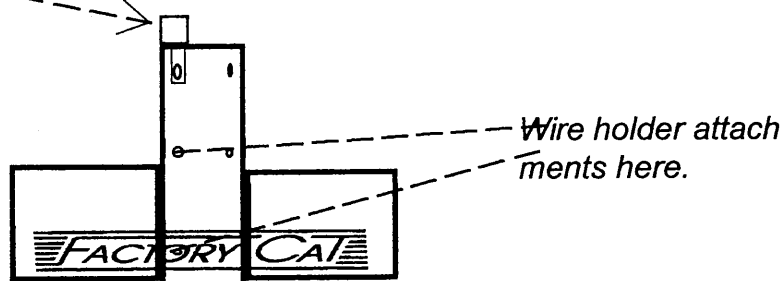


2. You will find a junction block inside the trough. The junction block is attached to a four pin Molex. Replace the junction block with the new wiring harness provided.
3. If your machine is equipped with a horn (most are), there are two wires on the old junction block that must be reinstalled on the new one. They are a red wire and black wire.



**Attach black horn wire here, and red one here.**

4. **When you put the trough cover back on be careful not to pinch any wires!** Do not operate machine in water with this cover missing. The wires will get wet, and may eventually corrode at their connectors.
5. The Model 10's Control Panel bolts to the upper front bolt of the machine's steering pedestal as shown.



6. Field installation of control wire harness. Use the two white attaching wire holds provided and attach wiring harness to the second and third bolts as shown. (Factory installation harnesses go inside the box).

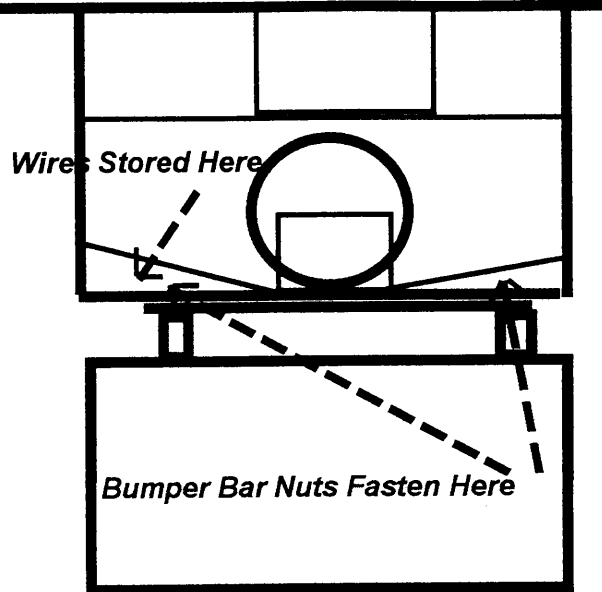
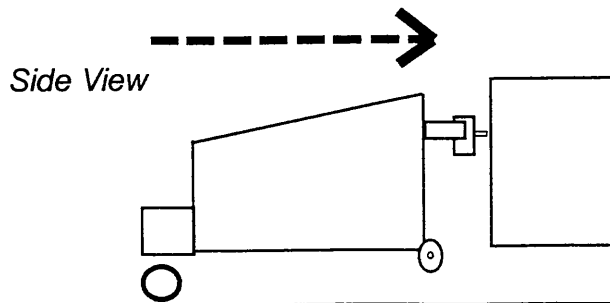
**QUESTIONS? Call Factory Cat Tech Service at 800-634-4060**

**TO INSTALL ON  
MODEL 40 RIDER SCRUBBER:**

1. Roll machine on its wheels to front of unit.
2. The "bumper bar" attached to the machine's suspension linkage plugs into holes in the scrubber's bumper.
3. Using the side handles of the presweep, hoist up each side and align bumper bar pins with bumper holes.  
(Rear wheels will come off the floor)

Install the retaining nut behind the bumper.

4. Plug in the 2 prong power connector (Normally Stored inside right-hand bumper cavity)
5. Plug in the four prong control connector. (Stored inside righthand bumper cavity).
6. Test the connections by running the sweeper broom, fan and shaker briefly. Independantly of each other.
7. Note: The switch panel mounts to the steering tower on the driver's right hand side. Use the top bolt for the apron to secure the switch panel.



*Top View*





# **OPERATING YOUR MACHINE**

## TO SWEEP:

1. Turn on broom and vac systems with switches on switch panel.
2. Drive forward--with or without scrubbing.

## TO USE SIDE BROOMS:

1. Use the latch at the front of the machines bumper to lower brooms
2. Lower the bumper. This will turn the side broom or side brooms on automatically whenever the main broom runs. Only lower brooms when on.

## TO SWEEP A WET FLOOR:

1. Do not use sweeper if floor is VERY wet.
2. If floor is damp, turn off the vacuum switch, so vacuum will not pull water into paper filter.

## FOR DOUBLE-SCRUBBING

Turn off the sweeper and elevate it. To elevate one side at a time:

1. Pull on handle on bumper of presweep.
2. Chock up each side of the machine with the **Lift Lock** that is incorporated into the mounting system. (See diagram).
3. Repeat for second side.

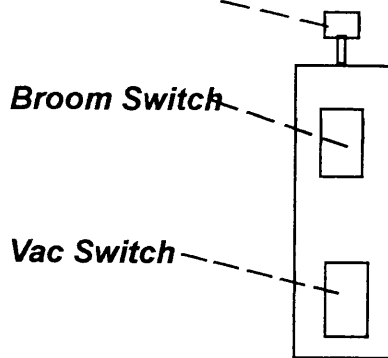
## TO EMPTY HOPPER:

1. Turn fans and motor off.
2. Press shaker button for 15 seconds.
3. Release hopper latch. Slide hopper completely out of presweep.

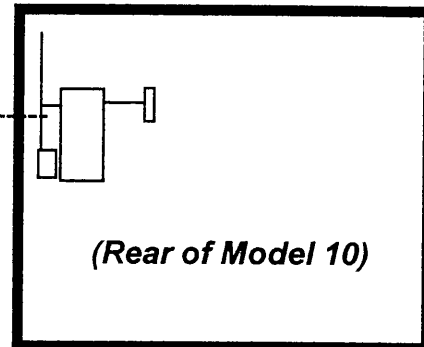
**5**

## CONTROLS:

**Filter Shaker:** Push for 15 Seconds



**Lift Lock**



To lift the main broom off the ground (for double scrubbing)

Lift each side of the presweep with the handle provided on the bumper.

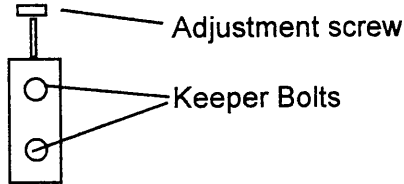
Then push the lift lock handle in toward the middle of the presweep.

# **MAINTENANCE AND ADJUSTMENTS**

## TO ADJUST MAIN BROOM:

Adjustment for mainbroom wear is made by lowering the machine to the floor.

This is done by loosening the two vertical screws at the rear of the machine.



### NOTES:

A presweep main broom should just brush the floor. About a 1.5" pattern.

Too much brush pressure on the floor will cause the circuit breaker to "blow" stopping the broom. You must adjust if this occurs, raising the broom further.

## TO ADJUST SIDE BROOM(S)

There is a screw adjustment atop each side of the bumper. Unscrew adjustment until side broom(s) just brush the floor.

### *Pattern for a good side broom adjustment:*

Right sidebroom should contact between "11:00 O'Clock and 5:00 O'Clock".

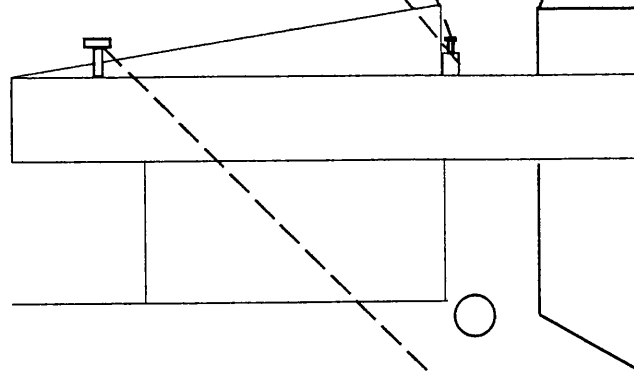
Left Sidebroom should contact floor between "7:00 O'Clock and 2:00 O'Clock".

### NOTES:

High downpressure is bad for the brooms and the motors and diminishes sweeping quality.

If you put down too much pressure on the sidebrooms you will repeatedly blow the protective circuit breakers. You must adjust upward.

*Main Broom Adjustment Screws: one on each side of Model 10.*

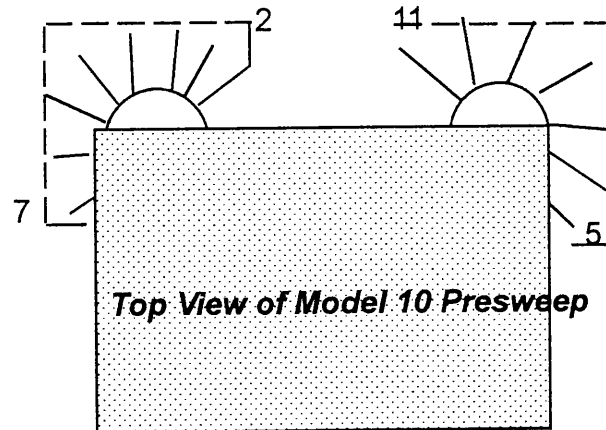


*Side Broom Adjustment Screw: One on top of each side of bumper.*

### Side Broom Contact Areas:

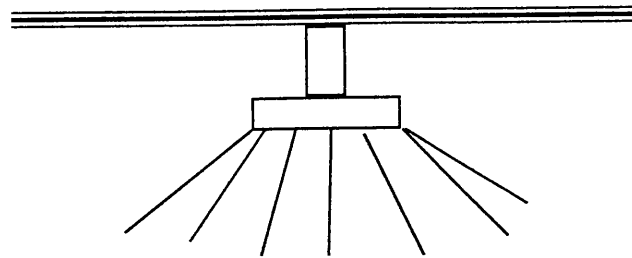
*7 to 2 O'Clock*

*11 to 5 O'Clock*

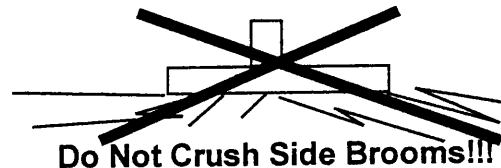


*Top View of Model 10 Presweep*

Adjust brooms so they just touch the floor. Contact area is as shown.



**Side Broom Should Just Touch The Floor**



**Do Not Crush Side Brooms!!!**

## **TO CHANGE BROOMS**

Main broom, when new, has 2.5" of fiber on it. When this wears to below 2", broom should be changed.

### **To Change Main Broom:**

Remove door on right side of machine.

Pull broom out.

Push new broom in. Carefully push end of broom into driver on Left side of machine.

"Vee" of broom should point toward front of machine.

**Readjust main broom following in structions on previous page. Too much pressure will ruin your new broom!**

### **To Change Side Broom(s):**

Pull pin keeper and pin.

Replace broom

Readjust broom height following instructions on previous page.

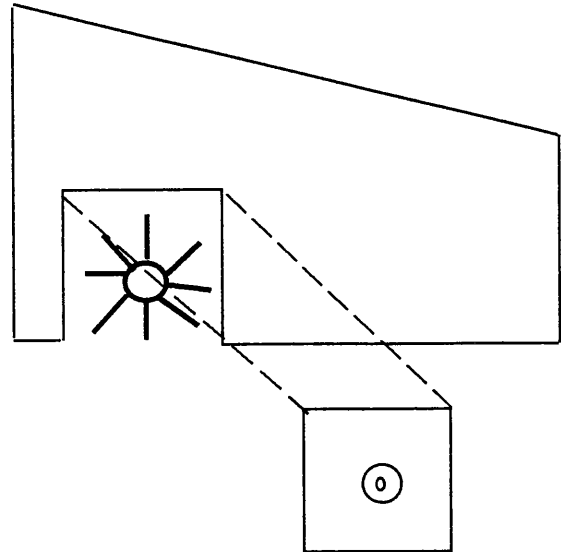
**Too much pressure can ruin your new broom!**

### **AIR FILTER:**

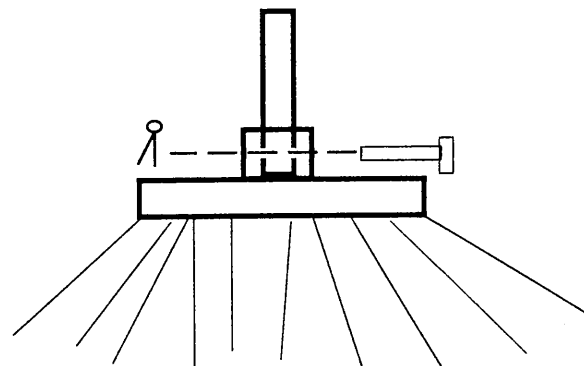
This paper filter can last a long time--if it is regularly cleaned using the electric shaker, and if the operator will always turn off the vacuum before operating on a wet floor.

If filter is clogged with dirt, you can remove it from the machine and remove the dirt.

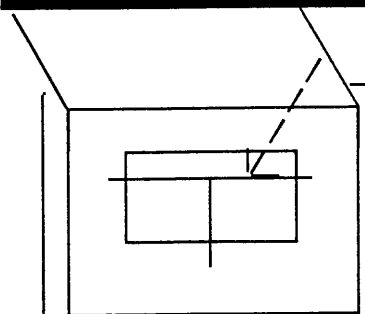
If you get the filter too wet, it can "melt" and tear, requiring replacement.



***Remove Door. Then Pull Out Broom. Then Reverse Procedure.***

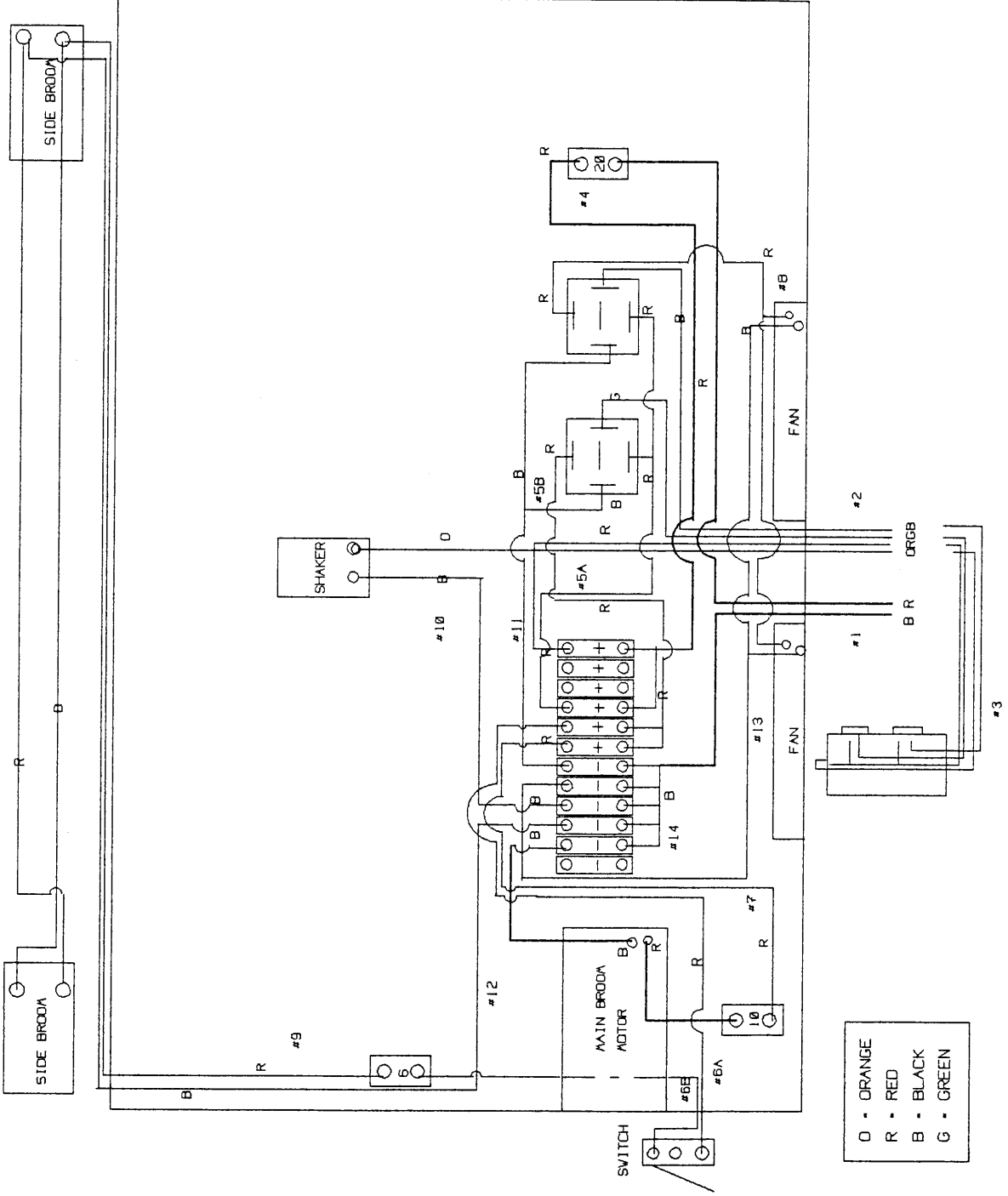


***Pull Pin To Change Side Broom(s)***



***TO CHANGE FILTER: Carefully remove cross bar and filter. In replacing filter, be sure the rubber seals are undisturbed. Do not over tighten.***

# MODEL 10 Wiring



- O - ORANGE
- R - RED
- B - BLACK
- G - GREEN

# SPARE PARTS BOOK

---

# **FACTORY CAT** SPARE PARTS BOOK

---

## **MODEL 10 PRE-SWEEP**

Factory Cat spare parts are sold through Factory Cat Dealers. If you have forgotten your dealer's name, or have moved the machine to a new location, please call us at **1-800-634-4060**, or Fax us at **1 414 632-3335**, and we will re-establish dealer contact for you.

### **TO ORDER PARTS:**

Please give Machine Serial Number with your order. Normally, ordinary parts orders are shipped out the same day received.

### **EMERGENCY ORDERS:**

Within the Continental United States, Factory Cat can supply any part that weighs under 70 pounds within 3 workdays, not counting weekends or National holidays.

However, if parts are ordered on an "emergency" basis, this means that R.P.S. will ship them by fastest means, generally by air courier service.

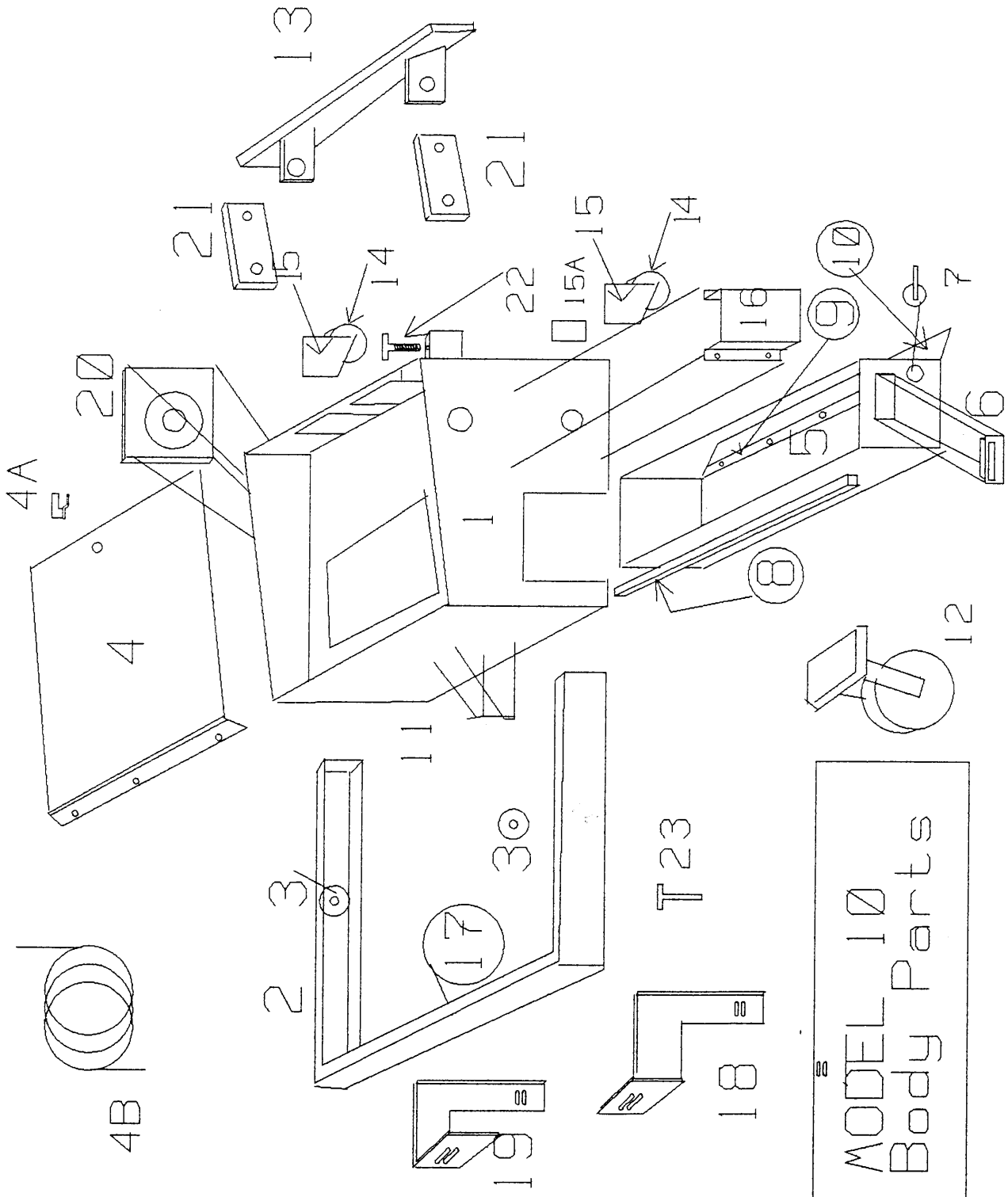
The emergency service is for breakdowns only. Please do not use it to order stock items.

### **FREIGHT:**

Within the United States, normal shipments are shipped by customer choice of method, while Emergency Shipments are by the Factory's choice--normally by the fastest means.

For this reason, emergency orders will generally cost the customer more than normal ones. In both cases, the customer is responsible for payment for freight.

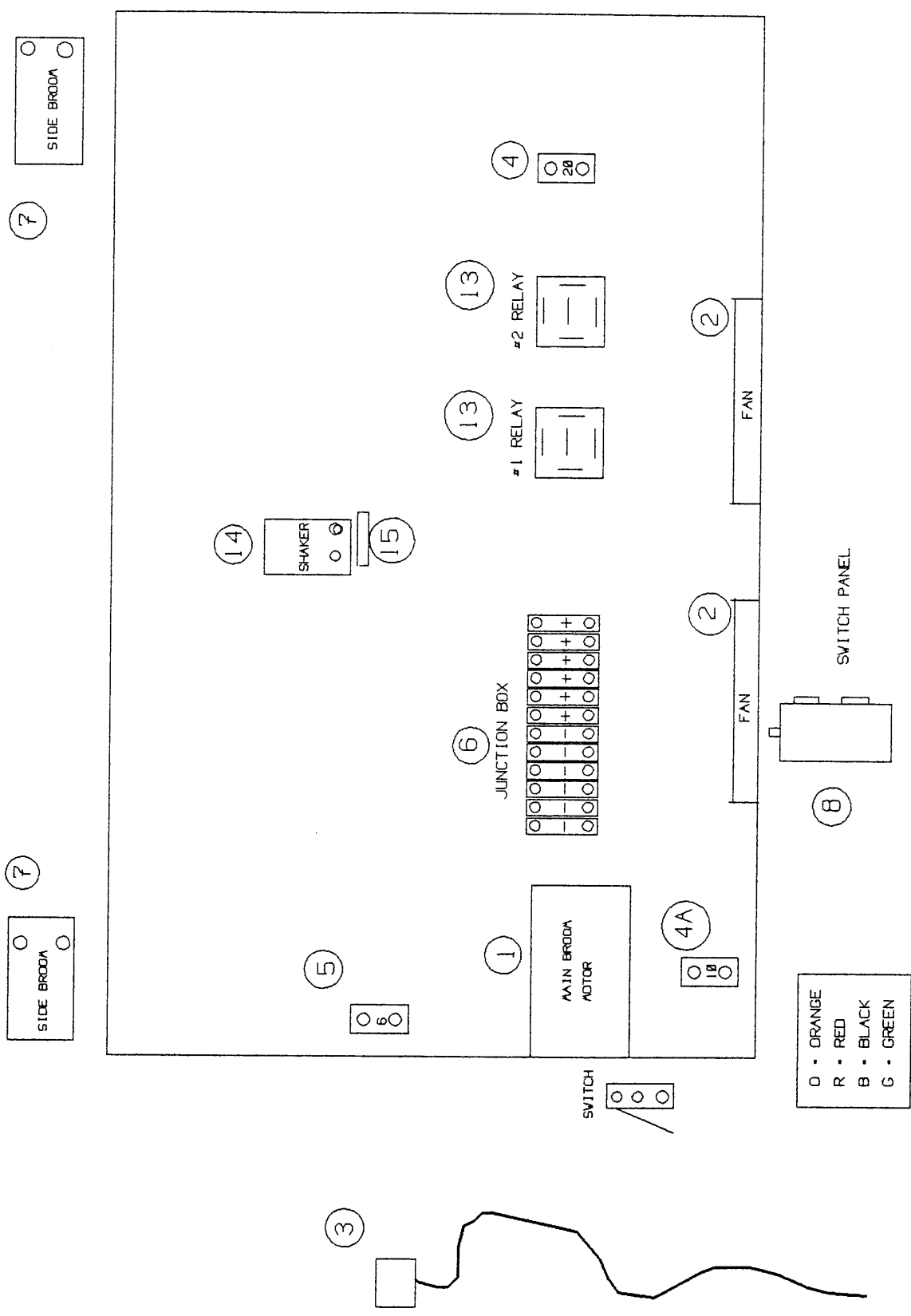




MODEL 10  
 Body Parts

Model 10 Parts Book		10 parts	
Reference	DESCRIPTION	Part No.	Qty. Req'd
	<b>BODY PARTS</b>		
1	Main Body	1-101	1
2	Bumper	1-102	1
3	Bumper Mount (nylon washer)	1-103	2
4	Hood, including Hinge	1-104	1
4A	Hood latch	8-126A	1
4B	Hood Sealing Strip Kit (12ft)		1
Not Shown	Hopper, complete with handle, slides, flap & Latch	1-105	1
5	Hopper Body	1-120	1
6	Hopper Handle	4-127	1
7	Hopper Latch	8-126A	1
8	HDPE Slide Rail	1-121	2
9	Steel Flap Retaining Strip	1-132	1
10	Neoprene Flap	1-572	1
11	Caster Foot (welded to body)	NSS	1
12	Caster	1-108	1
13	Mounting Bar	1-109	1
14	Rear Wheel, including axle and lockpin	5-757	2
15	Rear Wheel Mounting Bracket	5-758	2
15A	Rear Wheel Bracket Spacer	1-758	2
16	Belt Guard	1-111	1
17	Bumper Pivot Latch	1-112	1
18	Lefthand broom mount	1-113	1
19	Righthand broom mount	1-114	1
20	Main broom access door	1-115	1
	Door Plate Only	1-115A	1
	Idler and bearing set	1-115B	1
21	Suspension Adjustment Block	1-125	1
22	Suspension Adjustment Bolt	1-126	1
23	Side Broom Adjustment Knob	4-457	2

# MODEL 10 Electricals

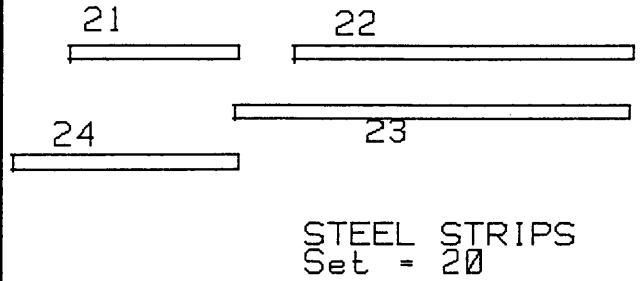
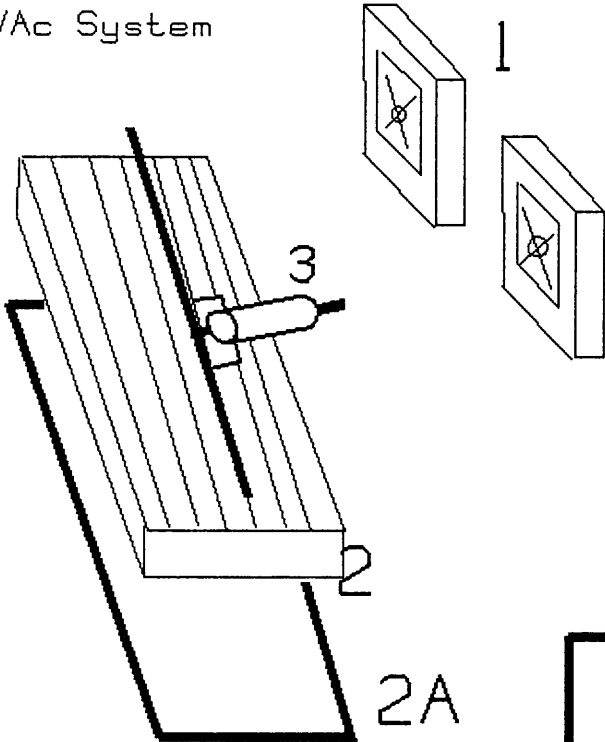


Subs To  
5-279

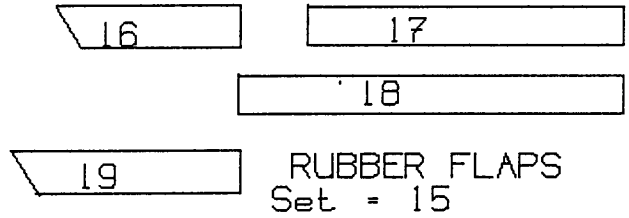
Reference	DESCRIPTION	Part No.	Qty. Req'd
	<b>ELECTRICAL PARTS</b>		
1	Main Motor	1-201	1
2	Vacuum Fan	1-512	2
3	Complete Wiring Harness	1-210	1
3A	Wiring Subharness: Model 10 Power Lead to Model 40	1-210A	1
	Wiring Subharness: Model 10 Control Lead to Control Panel (ITEM 12)	1-210B	1
4	Circuit Breaker, Main, 20 A	1-282	1
4A	Circuit Breaker, Main Broom Motor 10 A	1-283	1
5	Circuit Breaker, Side Brooms 6 A	8-284	1
6	Junction Block Strip	1-280	1
7	Side Broom Motor	8-220	1 or 2
8	Control Panel Complete	1-230	1
9	Control Panel Rocker Switch	1-231	2
10	Control Panel Pushbutton Switch (For Shaker)	1-232	1
11	Control Panel Housing	1-233	1
12	Wiring Subharness: Model 10 Control Lead to Control Panel	1-210B	1
13	Relay, 15 Amp	5-293	2
14	Filter Shaker Motor	1-270	1
15	Filter Shaker Motor Cam	1-270A	1

# MODEL 10: SWEEPING SYSTEMS

VAc System

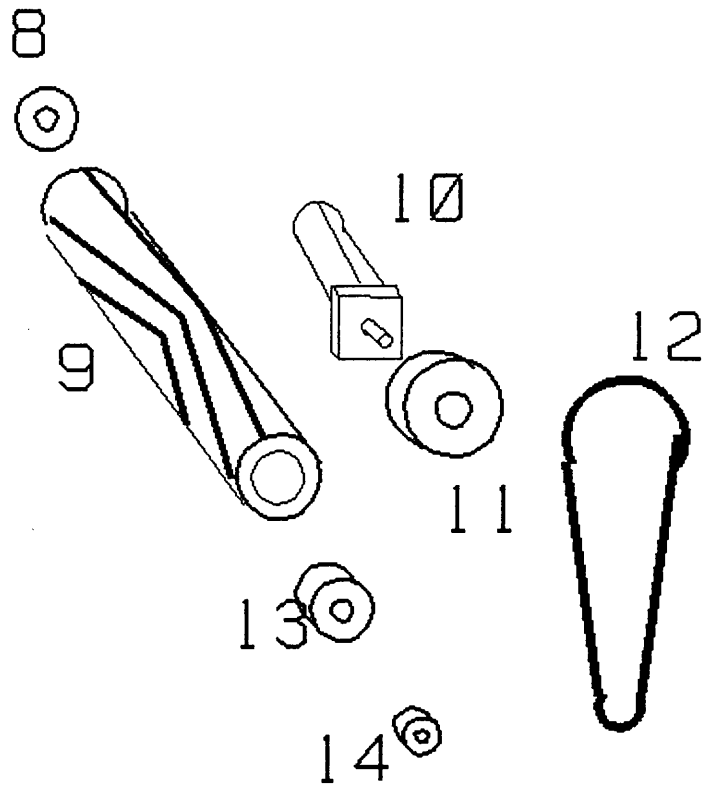
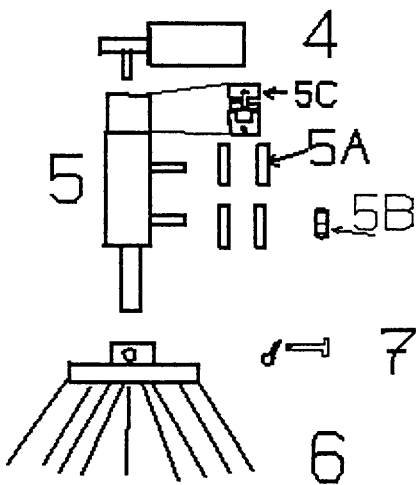


STEEL STRIPS  
Set = 20



RUBBER FLAPS  
Set = 15

Side Broom System



MAIN BROOM PARTS

Reference	DESCRIPTION	Part No.	Qty. Req'd
<b>SWEEPING &amp; DUST CONTROL PARTS</b>			
1	Vacuum Fan	5-212	2
2	Dust Filter	1-560	1
2A	Dust Filter Gasket	1-502	1
3	Shaker Motor Assembly, Complete	1-505	1
	Shaker Motor (motor only)	1-270	1
	Shaker Motor weight with screw	1-506	1
	Shaker Motor T-Bracket with nuts	1-507	1
Not Shown	Side Broom Assembly, Complete. Includes Following	1-450	1 or 2
	<i>NOTE: Second sidebroom is optional</i>		
4	Side Broom Motor, 24 V	8-220	1 or 2
5	Side Broom Drive Tube (With bearings)	4-445	1 or 2
5A	Mounting Grommet	8-446	4 or 8
5B	Nylok Nut	4-461	2 or 4
5C	Side Broom Drive Coupling Set	4-444	1 or 2
6	Side Broom	1-402	1 or 2
7	Side Broom Clevis and LockPin Set	4-403	1 or 2
8	Main Broom Idler	1-420	1
9	Main Broom (Nylon)	1-401N	1
10	Main Motor	1-201	1
11	Main Motor Drive Pulley	1-301	1
12	Belt	1-302	1
13	Main Broom Driver	1-303	1
14	Main Broom Driven Pulley	1-304	1
15	Floor Seal Set	1-570	1
16	Lefthand Floor Seal (NSS)	1-571	1
17	Hopper Floor Seal (NSS)	1-572	1
18	Rear Floor Seal (NSS)	1-573	1
19	Righthand Floor Seal (NSS)	1-574	1
20	Floor Seal Steel Retaining Strip Set	1-130	1
21	Lefthand Floor Seal Strip (NSS)	1-131	1
22	Hopper Floor Seal Strip (NSS)	1-132	1
23	Rear Floor Seal Strip (NSS)	1-133	1
24	Righthand Floor Seal Strip (NSS)	1-134	1