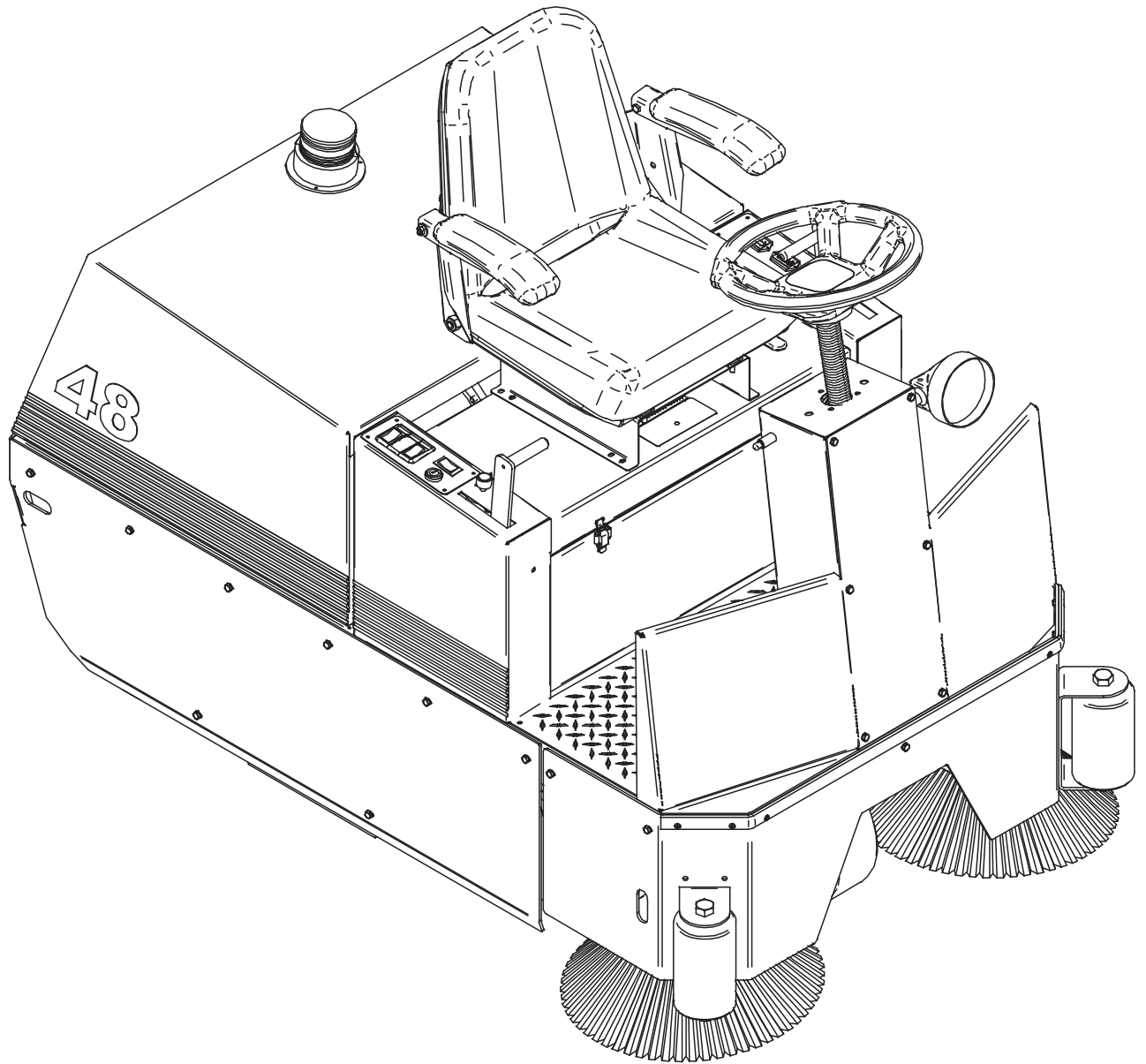


Version 12.0823

PARTS MANUAL

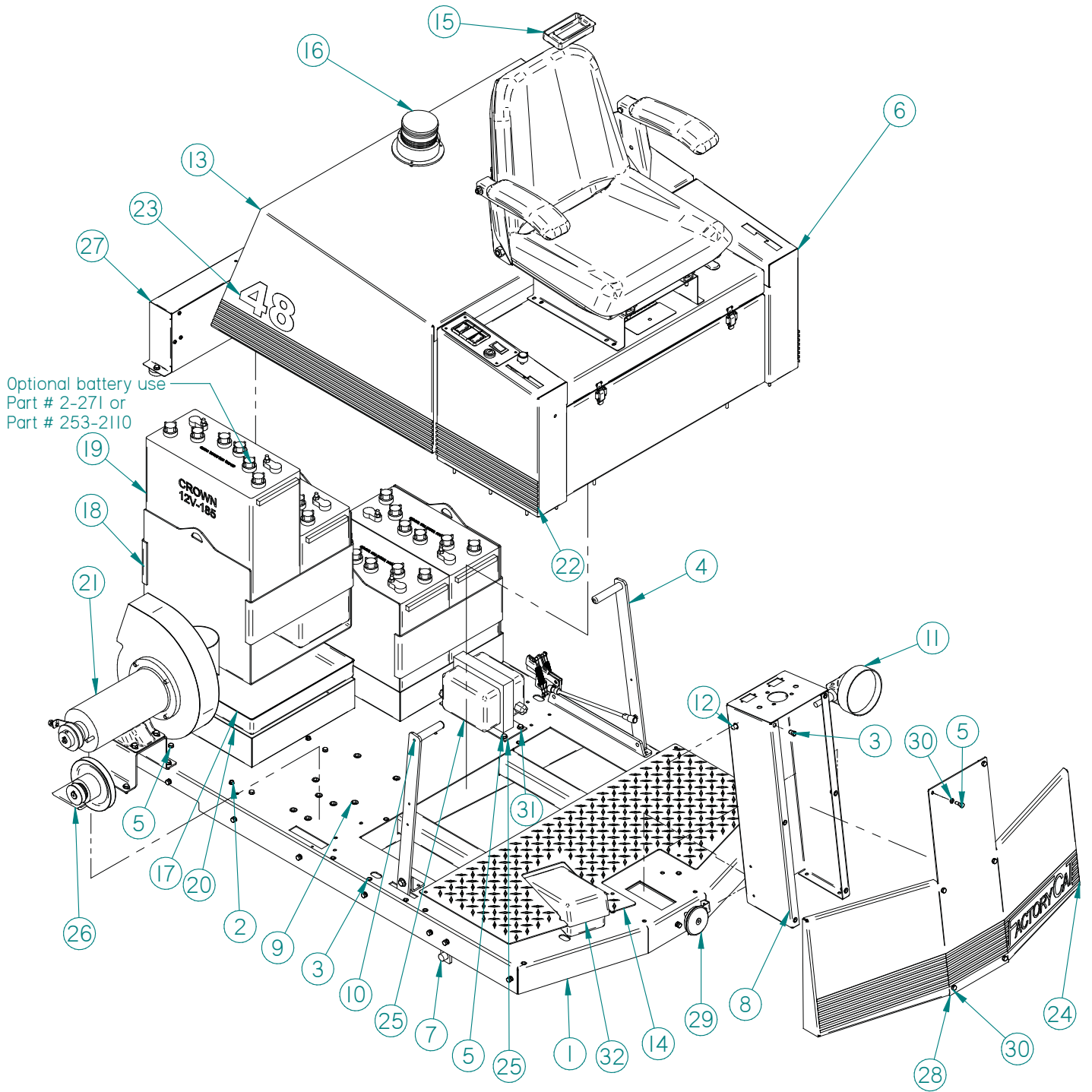
MODEL 48



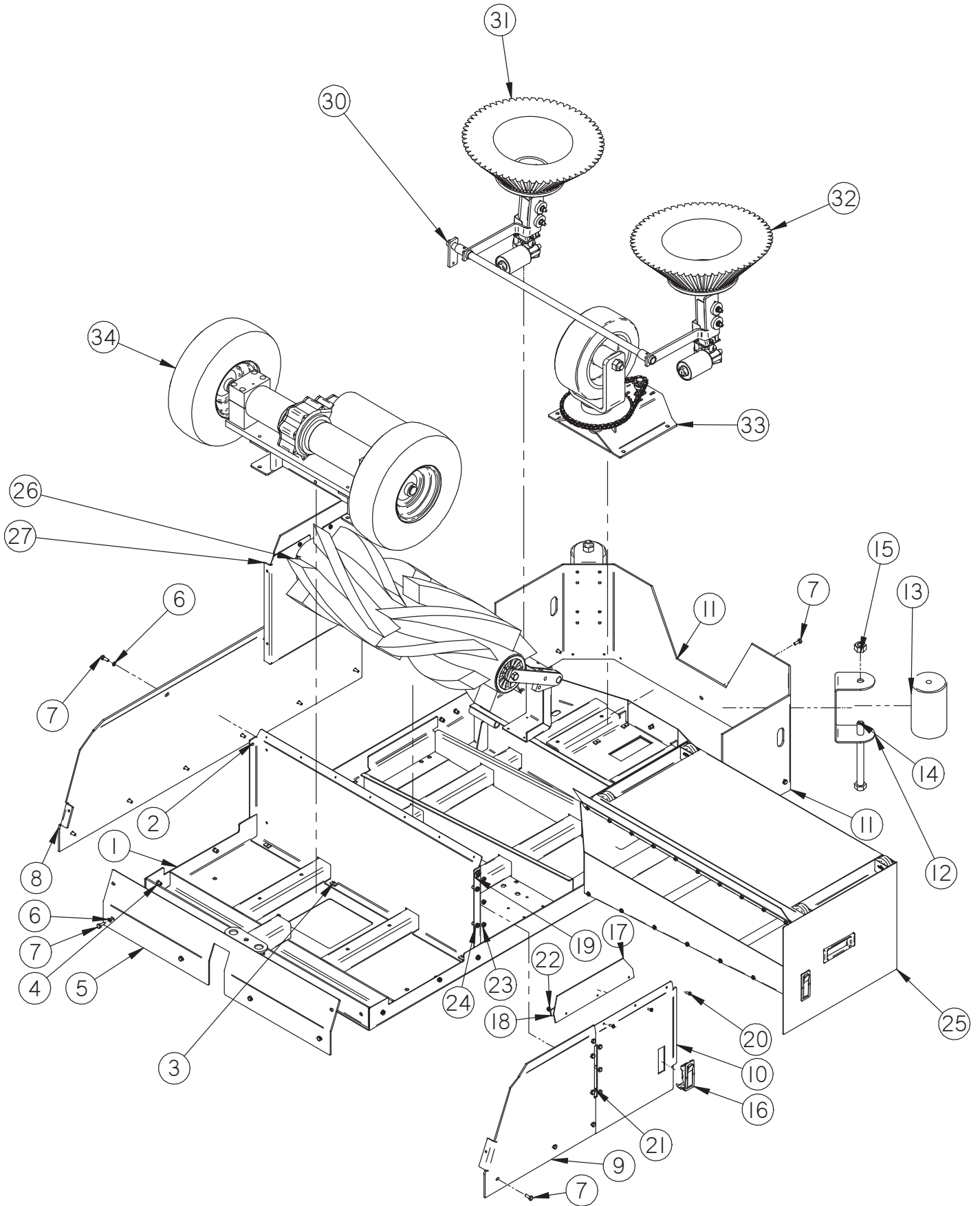
R.P.S. Corporation
P.O. Box 368
Racine, Wisconsin 53401

Phone: 1-800-634-4060
Fax: 1-866-901-3335

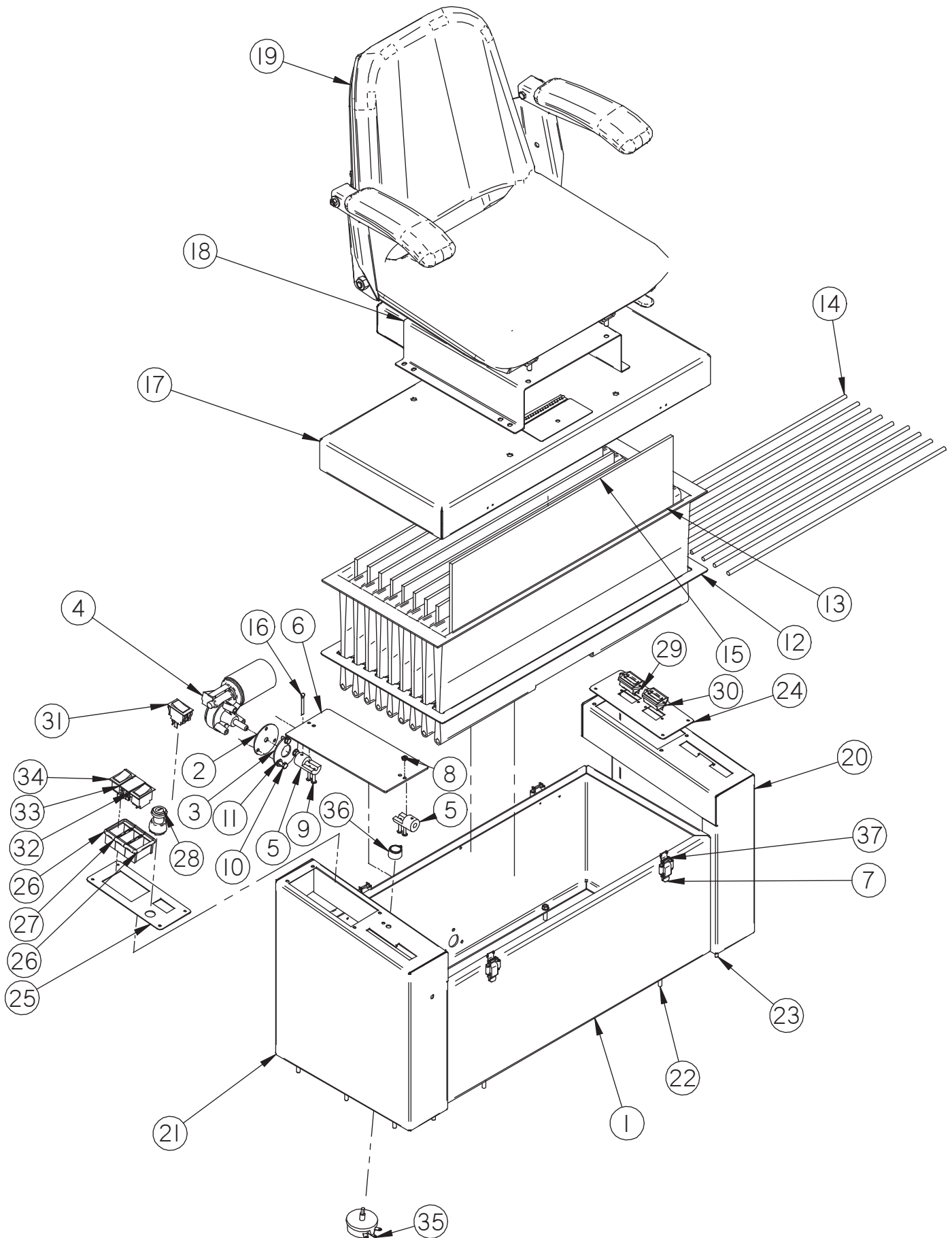
Frame Top	4
Frame Bottom.....	6
Seat and Filter Assembly.....	8
Central Command	10
Steering Assembly.....	12
Hopper.....	14
Main Broom Assembly.....	16
Side Broom Assembly	18



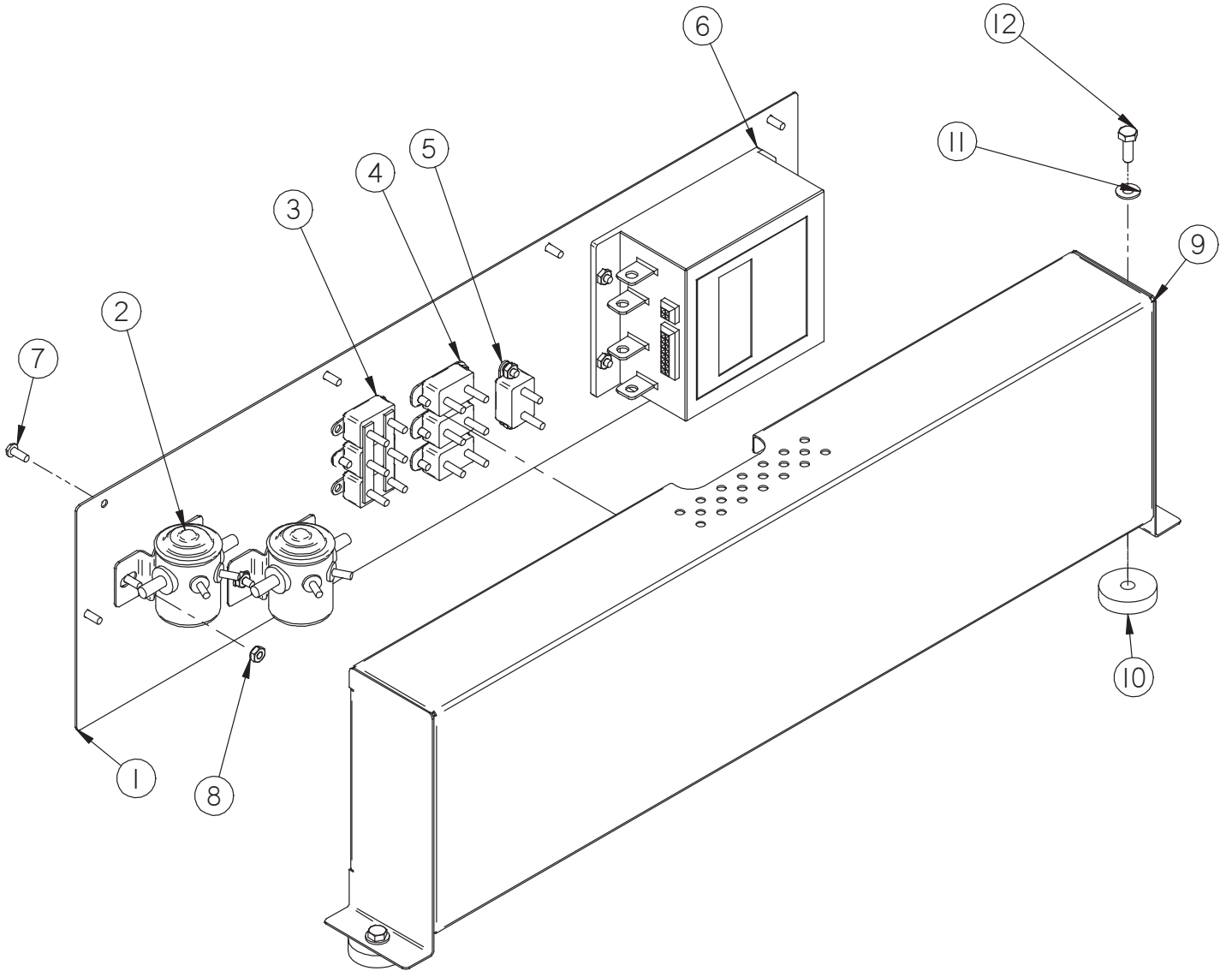
Item	48 Part No.	Part Description	Qty.
1	8-110	MAIN FRAME	1
2	H-19901	FB CASHD 1/4"-20 X 1/2"	2
3	H-250HCN	HCN 1/4"-20	28
4	SEE PG. 29 AND 30	MAIN BROOM LIFT ASM.	1
5	H-70003	HCS 1/4"-20 X 3/4" SS	19
6	SEE PG. 33 AND 34	FILTER AND SEAT ASM	1
7	8-462	SIDE BROOM SUSPENSION AXLE	1
8	8-117	STEERING PEDESTAL	1
9	H-312HCN	HCN 5/16"-18	8
10	SEE PG. 31 AND 32	SIDE BROOM LIFT ARM ASM.	1
11	8-291	HEADLIGHT	1
12	8-294B	PUSH BUTTON SWITCH, SILVER	1
13	8-112	HOOD	1
14	8-161	NON-SKID FLOOR	1
15	8-144	HOOD HANDLE	1
16	8-293	STROBE LIGHT	1
17	8-148	BATTERY TRAY	1
18	8-159	REMOVABLE BATTERY BOX	2
19	4-271	BATTERY, CR-185, 12 V, 185 AH	4
20	8-129	BATTERY BOX	2
21	SEE PG. 33 AND 34	MOTOR AND FAN ASM.	1
22	8-1501	PIN STRIPES	2
23	8-1500	48 STICKER	1
24	8-152	FRONT STICKER	1
25	8-244	BATTERY CHARGER, ON-BOARD, 25 AMP, 110V	1
26	SEE PG. 33 AND 34	JACK SHAFT	1
27	SEE PG. 25 AND 26	CENTRAL COMMAND	1
28	8-118	FRONT APRON	1
29	8-294	HORN	1
30	H-71063	LW 1/4" SS	14
31	H-71013	FW 1/4 ID X 5/8 OD SS	2
32	5-275	FOOT PEDAL	1



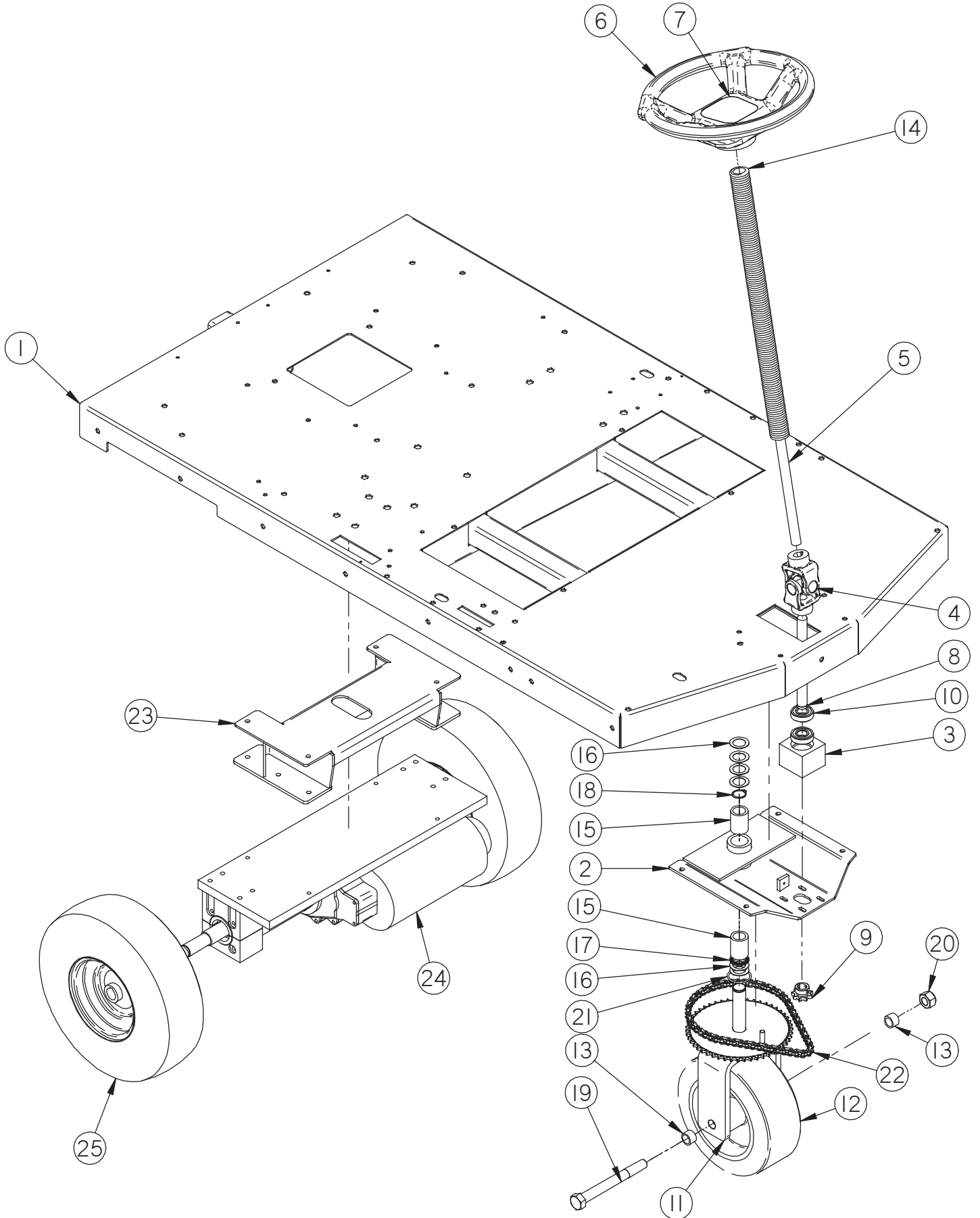
Item	Part No.	Part Description	Qty.
1	8-110	MAIN FRAME	1
2	8-125	BROOM COMPT. REAR PANEL	1
3	H-19901	FB CASHD 1/4"-20 X 1/2"	4
4	H-250HCN	HCN 1/4"-20	18
5	8-119H	REAR SKIRT	1
6	H-71063	LW 1/4" SS	22
7	H-70003	HCS 1/4"- 20 X 3/4" SS	22
8	8-120H	RIGHT HAND SKIRT	1
9	8-182H	LEFT REAR SKIRT	1
10	8-181	BROOM COMPARTMENT DOOR	1
11	8-135	FRONT BUMPER	1
12	7-126	HD ROLLER BRACKET	2
13	7-125A	ROLLER	2
14	H-11380	HCS 3/4-10 X 8-1/2	2
15*	H-37039	NYLOK 3/4"- 10	2
16	5-130	SIDE DOOR LATCH	1
17	8-572	FLOOR SEAL, L.	1
18	8-577	LEFTHAND FLOOR SEAL CLAMP	1
19	H-	FNW 1/4" X 1" SS	1
20	H-29049	PPH #10-32 X 1/2"	3
21	H-13003	HCS 1/4"-20 X 3/4"	3
22	H-37408	KN #10-32	1
23	H-37018	NYLOK 1/4"-20	3
24	H-250RCN	RCN 1/4"- 20	2
25	SEE PG. 35 AND 36	HOPPER	1
26	SEE PG. 29 AND 30	MAIN BROOM ASM.	1
27	SEE PG 29 AND 30	INNER WALL	1
30	8-462	SIDE BROOM SUSPENSION AXLE	1
31	SEE PG. 31 AND 32	RIGHT SIDE BROOM ASM.	1
32	SEE PG. 31 AND 32	LEFT SIDE BROOM ASM.	1
33	SEE PG. 27 AND 28	FRONT WHEEL AND STEERING SYSTEM	1
34	SEE PG. 27 AND 28	REAR WHEEL DRIVE SYSTEM	1



Item No.	Part Number	Part Description	Qty
1	8-140	FILTER CHAMBER	1
2	8-222	MOTOR GASKET	1
3	8-223	GASKET BACKING PLATE	1
4	8-221	FILTER CLEANER/SIDE BROOM MOTOR	1
5	8-561	FILTER CLEANER MOTOR COUPLER	2
6	8-506	FILTER BEATER BAR PLATE	1
7	8-138A	LATCH W/SPRING	4
8	H-37015	NYLOK #10-32	1
9	H-29073	PPH #10-32 X 1"	4
10	H-38558	HCS M6-1.0 X 14	3
11	H-33618	LW 1/4"	11
12			1
13	8-502	FILTER ELEMENT	1
14	4-503A	FILTER WEIGHT ROD	9
15	4-521A	FILTER SEPARATOR	9
16	H-65105	1/4" X 1 1/5" COTTER PIN	1
17	8-141	FILTER CHAMBER LID	1
18	8-160	SEAT STAND	1
19	8-143	SEAT WITH ARM RESTS	1
20	8-116	LEFT HAND CONTROL PANEL	1
21	8-115	RIGHT HAND CONTROL PANEL	1
22	H-19905	FB CASHD 1/4"-20 X 1.0"	4
23	H-13005	HCS 1/4"-20 X 1"	8
24	8-132	LEFT HAND INSTRUMENT PANEL	1
25	8-131	RIGHT HAND INSTRUMENT PANEL	1
26	8-234A	SWITCH BRKT, SIDE	2
27	8-236	SWITCH BRKT, CENTER	1
28	8-234	KEY SWITCH	1
29	8-261	BATTERY COND METER	1
30	8-262	HOUR METER (optional)	1
31	4-230	ROCKER SWITCH	1
32	8-231	SWITCH, ON-OFF ROCKER SPST	1
33	8-232	GREEN INDICATOR LIGHT	1
34	8-233	OFF-MOM SPST	1
35	4-451	RHEOSTAT	1
36	4-452	RED CONTROL KNOB	1
37	8-138b	LATCH	2

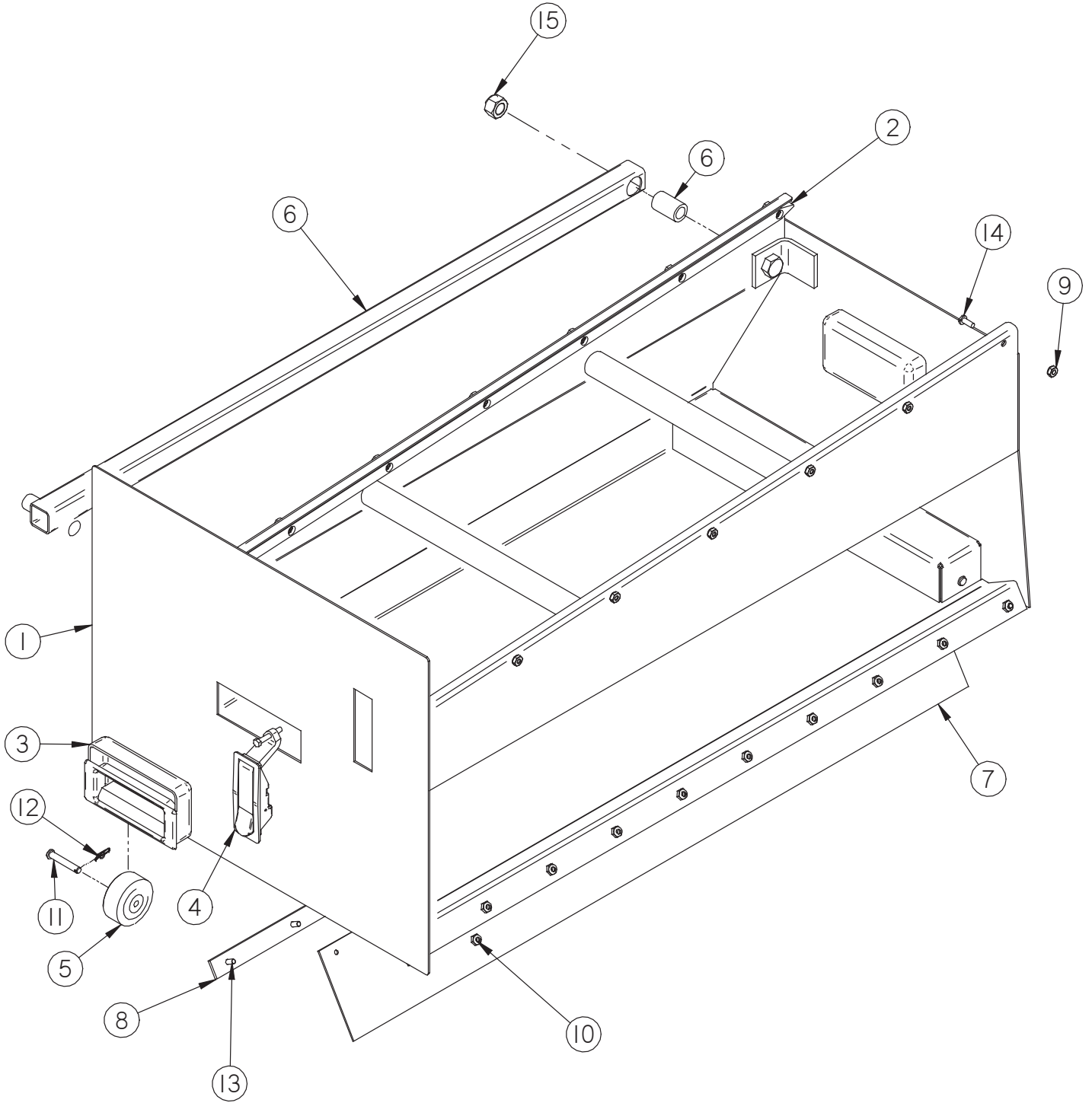


Item	Part No.	Part Description.	Qty.
1	8-288	CENTRAL COMAND BOX COVER	1
2	8-283	RELAY, 80 AMP	2
3	8-285	CIR. BREAKER - 120A	1
4	8-285A	CIR. BREAKER - 40A	3
5	8-285A	CIR BREAKER 24V 40A	1
6	8-289	COMPUTER CONTROL	1
7	H-29049	PPH #10-32 X 1/2"	23
8	H-37408	KN #10-32	17
9	8-287-00	C.C. BOX	1
10	4-446	GROMMET-3/8 ID X 1-1/2 OD X .375	2
11	H-71013	FW 1/4" X 5/8" SS	2
12	H-70003	HCS 1/4"- 20 X 3/4" SS	2



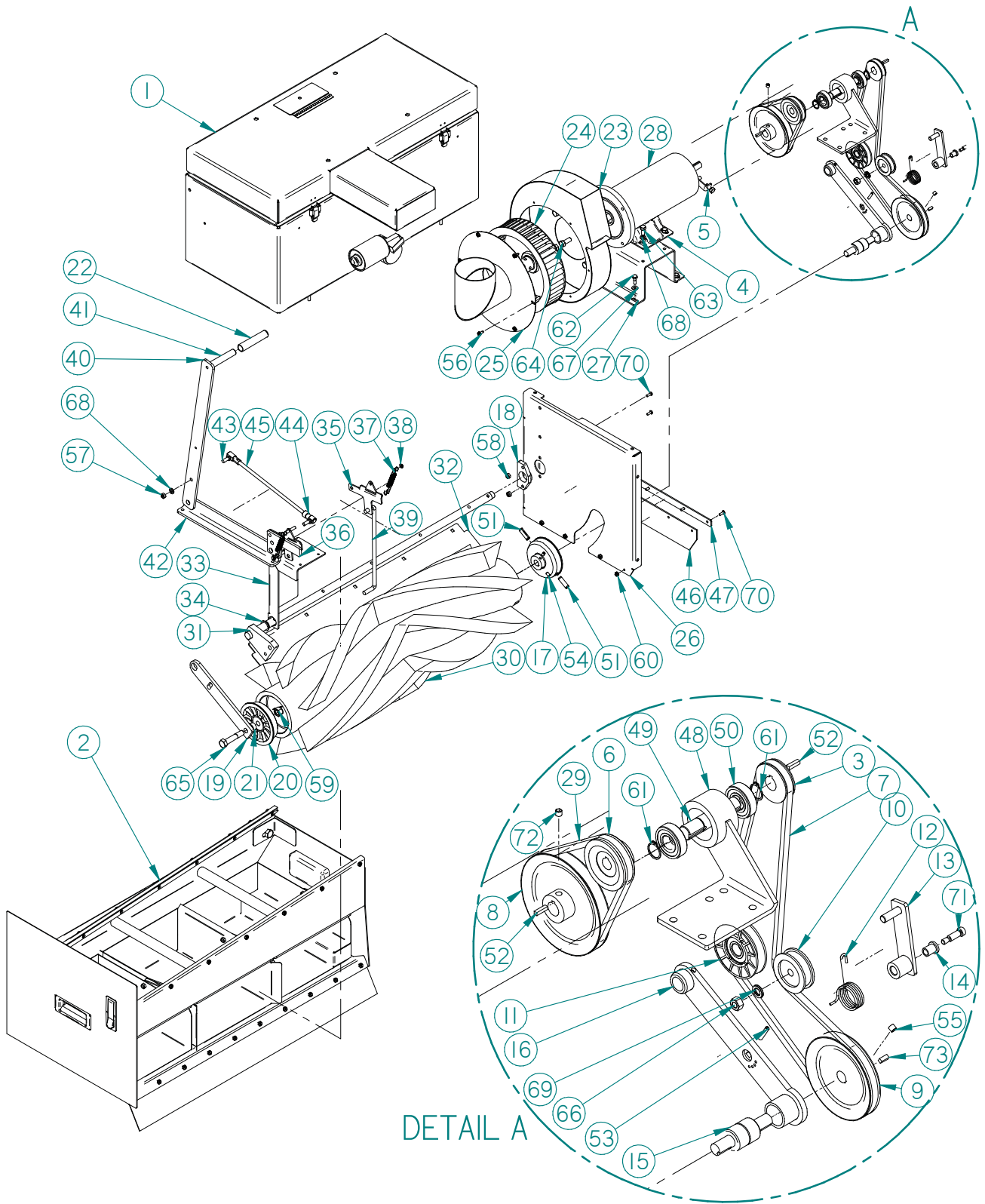
Item	Part No.	Part Description	Qty.
1	8-110	MAIN FRAME	1
2	8-720A	DROP PLATE	1
3	8-723	BEARING BLOCK	1
4	8-711-00	U-JOINT, STEERING	1
5	8-710	STEERING SHAFT, UPPER	1
6	8-701	STEERING WHEEL	1
7	8-701A	STEERING COVER	1
8	8-712	LOWER STEERING SHAFT	1
9	8-722	9 TOOTH SPROCKET	1
10	8-723B	BEARING	2
11	8-730	STEERING YOKE & SPROCKET	1
12	8-731	FRONT WHEEL	1
13	8-731	SPACER	2
14	8-710A	STEERING SHAFT COVER	1
15	8-725	YOKE PLATE BEARING	2
16	8-713	1 1/2" THRUST WASHER	6
17	8-714	THRUST BEARING	1
18	H-68019	SNAP RING 1"	1
19	H-13377	HB 3/4"- 10 X 7" SS	1
20	H-37039	NYLOK 3/4"- 10	1
21	8-715	O-RING	1
22	8-721	STEERING CHAIN	1
23	5-3100	AMER TRACTION MOUNT	1
24	5-604	TRANSAXLE	1
25	5-609	REAR WHEEL	2

14 Hopper



Item Number	Document Number	Title	Quantity
1	8-123	HOPPER BODY	1
2	8-163	HDPE SLIDE RAIL	2
3	4-127	HANDLE	2
4	5-130	SIDE DOOR LATCH	1
5	8-124A	HOPPER WHEEL	4
6	8-128	HOPPER HANDLE	1
7	8-573	REAR FLOOR SEAL	1
8	8-575	HOPPER FLOOR SEAL CLAMP	1
9	H-37408	KN #10-32	14
10	H-37015	NYLOK #10-32	10
11	H-ZCP44	1/4" X 1 1/2" CLEVIS PIN	4
12	H-RUE8	RUE RING COTTER	4
13	H-71671	HXMS #10-32 X 1/2" SS	10
14	H-29049	PPH #10-32 X 1/2"	14
15	H-37030	NYLOK 1/2"-13	1

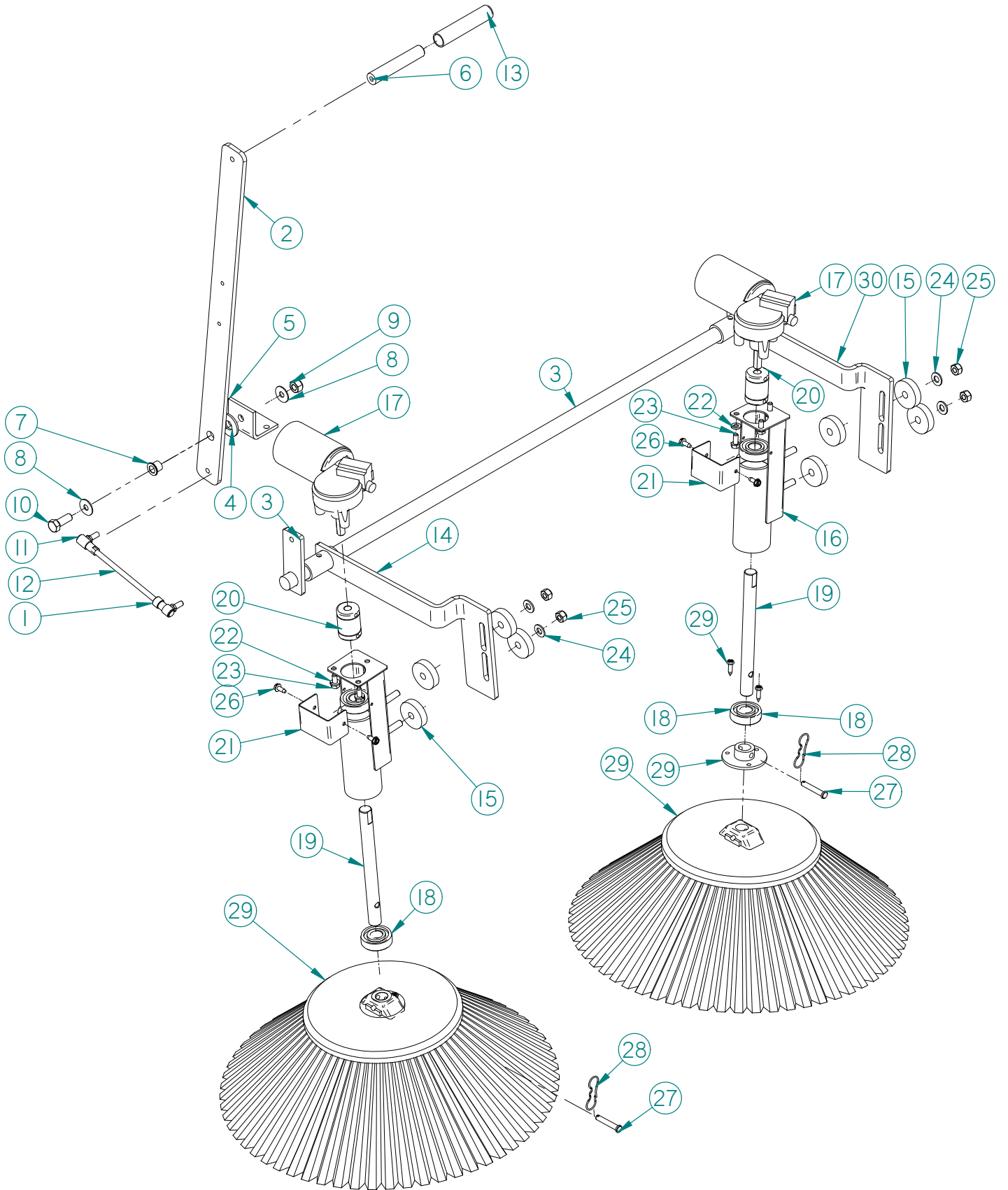
16 Main Broom Assembly



Item	Part No.	Part Description	Qty
1		FILTER AND SEAT ASM	1
2		HOPPER	1
3	349-3200	BROOM DRIVE PULLEY	1
4	4-201B	MOTOR CRADLE	1
5	4-210	TERMINAL CLIP	1
6	4-301	MAIN DRIVE PULLEY	1
7	4-302	MAIN BROOM BELT	1
8	4-312	TRANS INPUT PULLEY	1
9	4-316	BROOM DRIVE PULLEY	1
10	4-317	IDLER PULLEY	1
11	4-318	IDLER PULLEY	1
12	4-319	TENSION SPRING	1
13	4-360	REVERSE IDLER ARM	1
14	4-366	BUSHING, IDLER ARM	1
15	4-412	BROOM DRIVE BEARING	1
16	4-416	MAIN BROOM LAT. ARM	1
17	4-420	BROOM DRIVER	1
18	4-421	SUPPORT BLOCK	1
19	4-430	IDLER ARM	1
20	4-432	IDLER DRUM	1
21	4-432A	IDLER DRUM SPACER	1
22	4-448	HANDLE GRIP	1
23	4-511	BLOWER HOUSING	1
24	4-512	BLOWER WHEEL	1
25	4-513	BLOWER DOOR	1
26	8-127	BROOM COMPARTMENT INNER PANEL	1
27	8-165	MOTOR SUPPORT BRACKET	1
28	8-201	24V,TWIN SHAFT MOTOR	1
29	8-301	MOTOR TO JACKSHAFT BELT	1
30	8-401US	MAIN BROOM, UNION STEEL	1
31	8-410	MAIN BROOM SUSPENSION ARM	1
32	8-414	ATTENUATOR	1
33	8-423	LEFT SUPPORT BEARING	1
34	8-423A	MAIN BROOM BEARING SHELL	1
35	8-433	COVER, BELLCRANK	1
36	8-434	PLATE, BELLCRANK	1
37	8-436	DOWN PRESSURE CONTROL SPRING	4
38	8-437	3/8" WASHER CAP NUT	4
39	8-440	MAIN BROOM VERT LINK	1

Item	Part No.	Part Description	Qty
40	8-451	MAIN BROOM LIFT LEVER	1
41	8-452	LIFT HANDLE	1
42	8-454	MAIN BROOM LINKAGE CHASSIS	1
43	8-455A	FIXED BALL JOINT END FITTING 5/16"-24	1
44	8-455B	REMOV. BALL JOINT END FITTING 5/16"-24	1
45	8-455C	THRD ROD 5/16"-24	1
46	8-574	FLOOR SEAL, R.	1
47	8-576	RIGHTHAND FLOOR SEAL CLAMP	1
48	8-628	MAIN BROOM JACKSHAFT BRACKET	1
49	8-641	JACKSHAFT SHAFT	1
50	8-723B	BEARING	2
51	H-00105	3/8" X 1 1/4" SPRING PIN	2
52	H-0953152	3/16" X 3/4" KEY	2
53	H-25283	SSS CP #10-32 X 1"	1
54	H-25328	SSS CP 1/4"-20 X 3/8"	2
55	H-25435	SSS CP 5/16" X 1/4"	1
56	H-31810	HW #10 X 1/2	5
57	H-36102	HN 1/4"-20	1
58	H-37018	NYLOK 1/4"-20	2
59	H-37130	NYLOK 1/2"-13	1
60	H-37408	KN #10-32	4
61	H-68015	SNAPRING 3/4"	2
62	H-70003	HCS 1/4"-20 X 3/4" SS	3
63	H-70053	HCS 5/16"- 18 X 3/4" SS	5
64	H-70105	HCS 3/8"- 16 X 1" SS	4
65	H-70213	HCS 1/2"-13 X 2-1/2" SS	1
66	H-70712	HN 3/8"-16 SS	1
67	H-71013	FW 1/4 ID X 5/8 OD SS	3
68	H-71065	LW 5/16" SS	5
69	H-71067	LW 3/8" SS	1
70	H-72515	PPH #10-32 X 1/2" S/S	6
71	H-74107	SB 5/16" X 3/4" SS	1
72	H-81983	5/16" X 1/4" KURL SET SCREW	1
73	H-K1432	3/16" X 1/2" KEY	1

18 Side Broom Assembly



Item	Part No.	Part Description	Qty
1	8-453B	REMOV. BALL JOINT END FITTING 1/4"-28	1
2	8-461	LEVER, SIDE BROOM	1
3	8-462	SIDE BROOM SUSPENSION AXLE	1
4	H-33012	FW 1/2" SS	1
5	8-467	LIFT LEVER ANGLE	1
6	8-452	LIFT HANDLE	1
7	290-1242	3/8" ID, 1/2" OD, 1/2" LG, FLANGE BEARING	1
8	H-71016	FW 5/16" X 7/8" SS	2
9	H-70862	NYLOK 3/8"-16 SS	1
10	H-70105	HCS 3/8"- 16 X 1" SS	1
11	8-453A	FIXED BALL JOINT END FITTING 1/4"-28	1
12	8-463C	THRD ROD 1/4"-20	1
13	4-448	HANDLE GRIP	1
14	8-442	RIGHT SIDE BROOM ANGLE	1
15	4-446	GROMMET-3/8 ID X 1-1/2 OD X .375	8
16	4-445A	BROOM MOTOR MOUNT	2
17	8-220	SIDE BROOM MOTOR	2
18	4-445C	DRIVE TUBE BEARING	4
19	4-445B	BROOM SHAFT	2
20	4-444	BROOM SAFETY DRIVE CPLG	2
21	4-139	COUPLING COVER	2
22	H-33618	LW 1/4"	6
23	H-38558	HCS M6-1.0 X 14	6
24	H-33080	FW 5/16" SAE	4
25	H-70861	NYLOK 5/16" - 18 SS	4
26	H-31810	HW #10 X 1/2	4
27	H-0156730	1/4" X 1 1/2" CLEVIS PIN	2
28	H-BOW72	1/4" LOCKING COTTER	2
29	4-402	SIDE BROOM POLYPROPYLENE	2
30	8-443	LEFT SIDE BROOM ANGLE	1