

 **HANDMADE IN THE USA**

TOMCAT[®]
COMMERCIAL CLEANING EQUIPMENT

**SUPERDUTY
CARPET SPOTTER**
3 gal.



BURNISHERS

COMPACT SCRUBBERS

CHEMICAL FREE

RIDER SCRUBBERS

FLOOR MACHINES





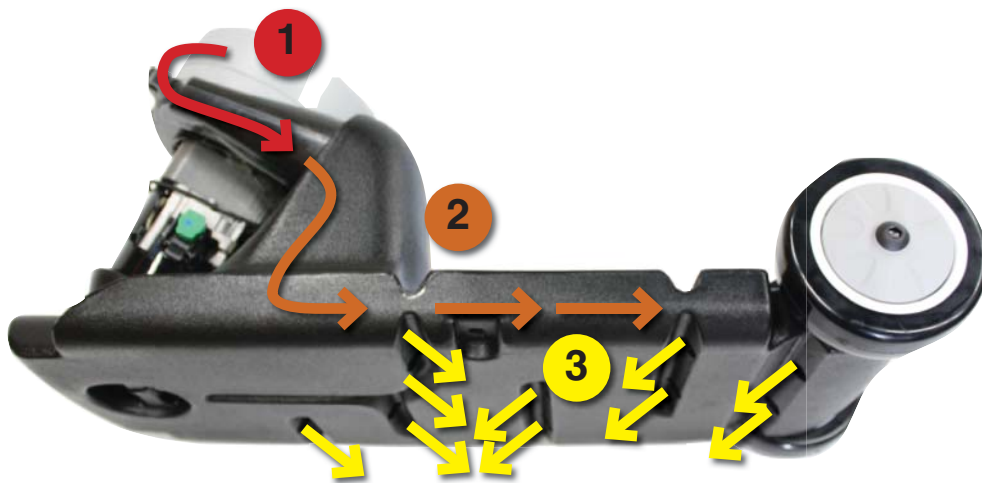
EASY SOLUTION FILL



**CORD STRAIN RELIEF /
EASY CORD QUICK RELEASE**



SIMPLE USAGE



- 1** Red Arrows show heated / high-pitch air exiting the motor into the exhaust manifold.
- 2** Orange Arrows show air moving through the exhaust manifold. High frequency noise is deflected against sound absorbing material, as air is gradually released.
- 3** Yellow Arrows show air exiting the noise diffuser without the high pitch noise of the fan blades.

NOISE DIFFUSING EXHAUST MANIFOLD

The “Noise Diffusing Exhaust Manifold” suppresses high frequency sound with its noise canceling technology. Motor exhaust is directed through exhaust grates which redirects sound waves while gradually releasing exhaust. No back pressure is generated from this device as it scrubs 8dB and 11 sones from the final exhaust.



EASY ACCESS RECOVERY



QUICK EMPTY RECOVERY



SIMPLE FILTER ACCESS

New Generation of Durability

Recovery Tank Clear Lid
Monitor Foam and Levels

Built In Cord Wrap
Ease of Access and Storage



Top Mounted Controls
Ease of access

Brass Quick Disconnect
Speedy Assembly

Stainless Steel Rotary Latch
Secures Recovery Tank

Stainless Steel Heater
1000 watt high performance

Stainless Steel Debris Gaurd
Stops Debris from Vac Motor

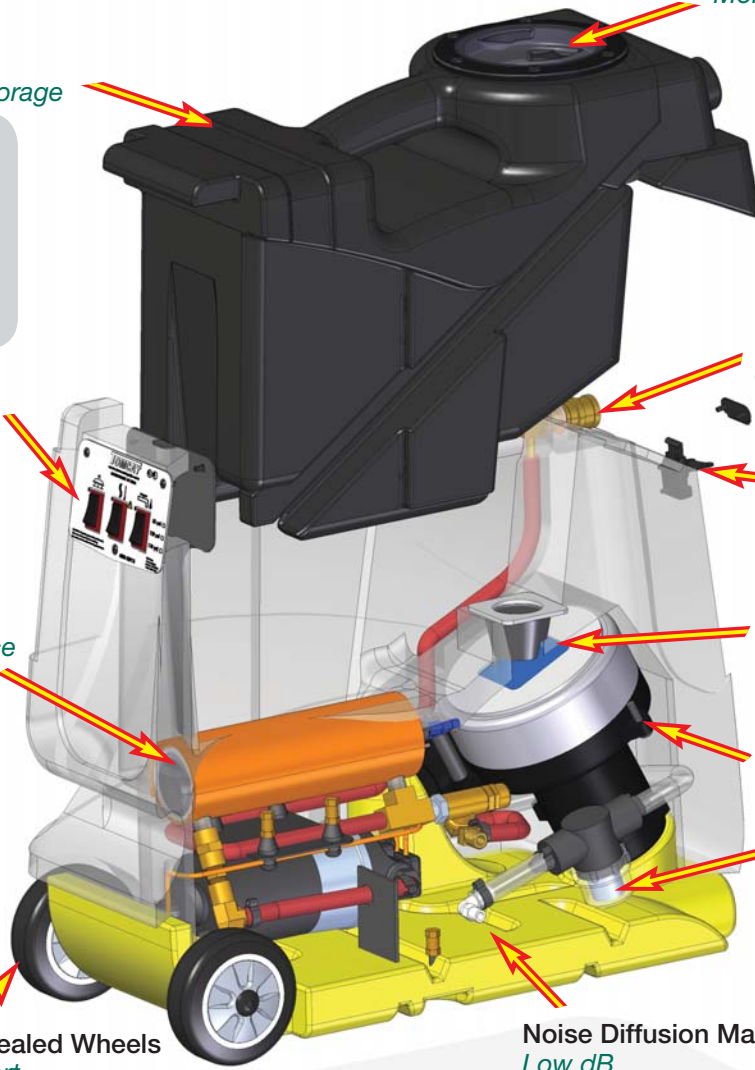
HD Tangential Vac Motor
Side Discharge allows long life

Stainless Solution Filter
Heater & Pump Protection



Non-Marking Sealed Wheels
Ease of Transport

Noise Diffusion Manifold
Low dB



Standard Non-Heated Hand Tool
#820-0029

Optional Hand Tool
#820-0041

Standard Heated Hand Tool
#820-0040



4" Acrylic Clear-View Hand Tool
with Viton Seals

4" Stainless Steel with Clear-View Hand
Tool with Brass Valve and Jet

4" Stainless Steel Hand Tool with Brass
Valve and Jet

Made in USA . . . Sold & Supported Worldwide

Since 1986, our family owned company has been designing, building and supporting the best in floor maintenance equipment. Our **TOMCAT** brand services the world with unsurpassed commercial cleaning equipment, continually exceeding expectations and setting the industry bar that much higher. We favor the American Economy, and are committed to legitimate environmental best practices. Our investment in technology ensures a superior product and support for our customers. We want to ensure that we provide only the best in customer service, and that begins with our knowledgeable in-house customer support staff.

We've built our reputation by providing the highest value machines and providing local support via over 425 distributors in 42 different countries. Our Authorized Distributors maintain a "factory trained" technical department, with a vested interest in our customers' long term satisfaction. **TOMCAT** offers a full line of equipment that includes sweepers, scrubbers and burnishers in both walk behind and rider models.

DISTRIBUTION NEAR YOU



Partial List of Countries We Serve

Japan	Holland	Saudi Arabia
Russia	Belgium	United Arab Emirates
South Korea	Ireland	Oman
Australia	Switzerland	South Africa
New Zealand	France	Malaysia
China	Poland	Barbados
Germany	Mexico	Bahamas
Sweden	Ecuador	Spain
Norway	Chile	Czech Republic
Finland	Peru	Canada
Denmark	Iceland	India



Body Construction/Dimensions

Tank Material:	Poly (3/8" thick) (1 cm)
Rear Wheels:	(2) 4" diameter (10 cm)
Size (L x W x H):	21" x 9" x 19" (53 cm x 23 cm x 48 cm)

Solution System

Solution Tank Capacity:	2.9 gallons (11 liters)
Water Jet psi:	55 psi / 120 psi / 170 psi
Heater (Optional):	Stainless Steel 201° / 7amp / 1000watt
Solution Filter:	Stainless / Inline

Recovery System

Recovery Tank Capacity:	2.6 gallons (9.8 liters)
Vacuum Power:	1.0 hp (745 watts)
Vacuum Specs (lift/airflow):	77" / 92 cfm (196 cm / 43 l/s)
Vacuum Hose:	1-1/4" x 8 ft
Hand Tool:	Acrylic Clear View (Standard - Non-Heated Units) Stainless Steel (Standard on Heated Units)

TOMCAT
COMMERCIAL CLEANING EQUIPMENT

Call For A
Demonstration:



Manufactured By:
R.P.S. Corporation
P.O. Box 241
Racine, Wisconsin 53401
Phone: (800) 450-9824
International: +001-262-681-6470
www.tomcatequip.com

AUTHORIZED DISTRIBUTOR

Copyright R.P.S. Corporation 2014. All rights reserved. Since our policy is one of constant improvement, all specifications are subject to change without notice.